



MICROWAVE COMPONENT

400W AC/DC OUTDOOR POWER SUPPLY



APPLICATIONS

- Provide DC power for Norsat 10W and 25W Solid State Power Amplifiers (SSPA)
- Rugged machined aluminum chassis
- Environmentally sealed and moisture resistant

TYPICAL SPECIFICATIONS PS-400W

Electrical Specifications

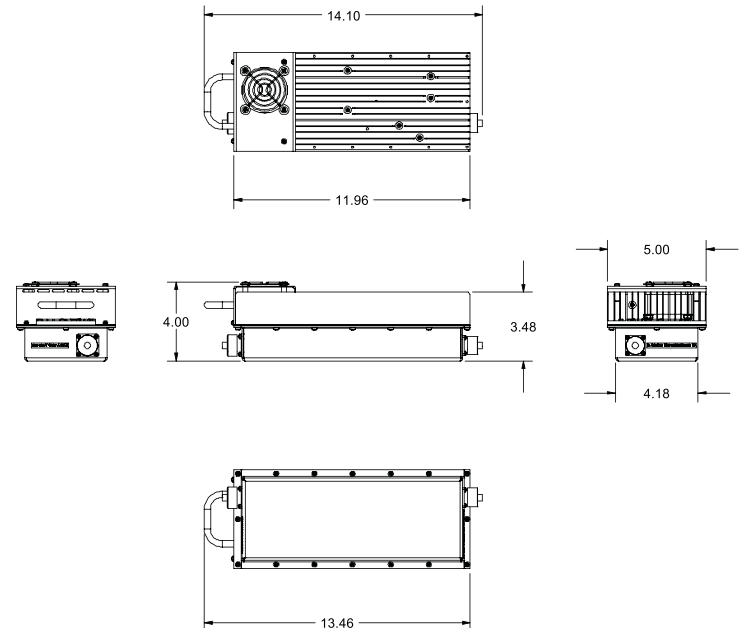
Input voltage	95 - 264 VAC
Input frequency	47 - 63 Hz
Current maximum	4.5A at 110 VAC
Output power	400W
Output voltage	24V
Cable AC	120 V / 15 A shielded 16.4 ft (5m)

Environmental Specifications

Operating temperature	-30 to +50 degrees Celsius
-----------------------	----------------------------

Mechanical Specifications

Input interface	Amphenol PT02E-12-3P
Output interface	Amphenol PT06E-14-5S
Dimensions	300 (L) x 130 (W) x 100 (H) mm (11.8 x 5.1 x 3.9 in)
Weight	2.6 kg / 5.7 lb
Color	White, Munsell N9.5 semigloss or Fed Std 595 "Sand"



MECHANICAL DIAGRAM