



# LNB

## C-BAND DRO

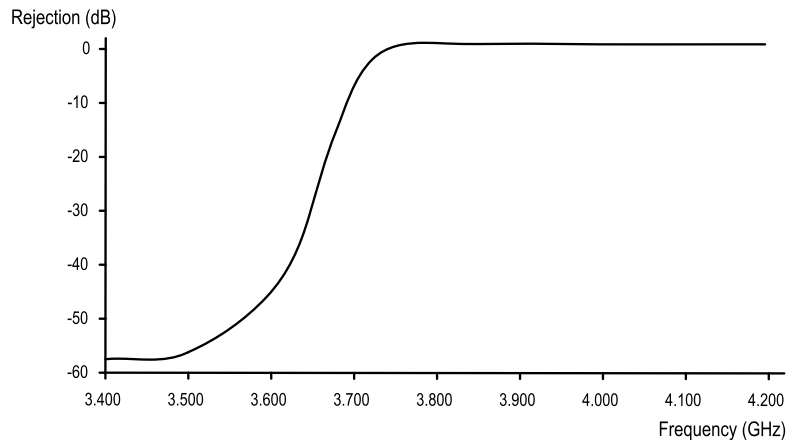
### 8000R



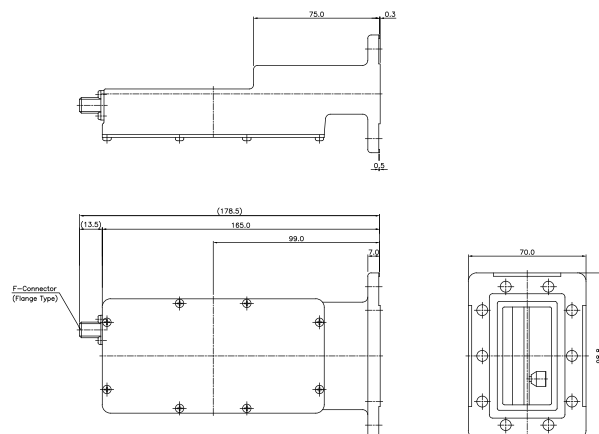
### TYPICAL SPECIFICATIONS

<b>Input frequency</b>	3.70 to 4.20 GHz
<b>Output frequency</b>	950 to 1450 MHz
<b>L.O. frequency</b>	5.15 GHz
<b>Noise temperature</b>	25K
<b>L.O. stability (over temperature excl offset)</b>	±500 kHz or ±250 kHz
<b>Phase noise (SSB)</b>	-70 dBc/Hz at 1kHz -90 dBc/Hz at 10kHz -100 dBc/Hz at 100kHz
<b>Input VSWR</b>	2.0 : 1
<b>Output VSWR</b>	2.2 : 1
<b>Conversion gain</b>	62 dB
<b>Output P1dB</b>	8 dBm
<b>Power requirements</b>	+15 to +24 V supplied through center conductor of IF cable
<b>Current drain</b>	130 mA
<b>Input Waveguide</b>	CPR229G
<b>Dimensions</b>	180 (L) x 100 (W) x 70 (H) mm (7.1 x 4.0 x 2.8 in)
<b>Weight</b>	425 g / 12.5 oz
<b>Temperature Range</b>	-40°C to +60°C

### TERRESTRIAL INTERFERENCE REJECTION



### MECHANICAL DIAGRAM



### HOW TO ORDER

## 8525RF

<b>CONNECTOR</b>	F - 75 Ohm N - 50 Ohm
<b>FREQUENCY</b>	3.7 - 4.2 GHz
<b>5 = 500 kHz</b>	
<b>2 = 250 kHz</b>	
<b>LNB SERIES #</b>	