

## OUTDOOR 250W AC/DC PSU

The features of Outdoor 250W AC/DC Power Supply Unit (PSU) are to provide the stable +48V DC power to operate Ku-band 16W/25W BUC, even if power supply of the equipment is not capable enough to operate the BUC. This unit employs the aluminum housing with corrosion-proof treatment on the surface and has air-sealing structure in order to use perfectly as the outdoor unit. In addition, the outdoor 250W AC/DC PSU complies with **EC DIRECTIVE**.

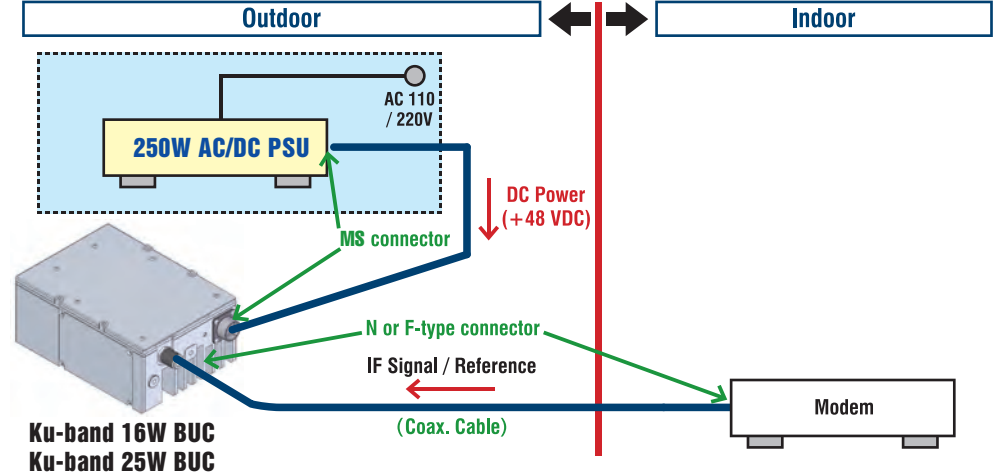


Outdoor 250W AC/DC PSU



Applicable Models:  
NJT8319 and NJT8370 series

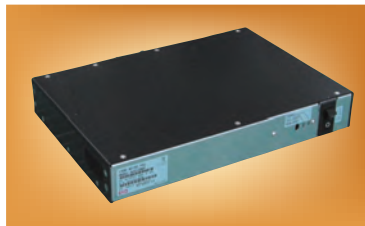
### Overview



Ku-band 16W BUC  
Ku-band 25W BUC

## INDOOR 150W AC/DC PSU

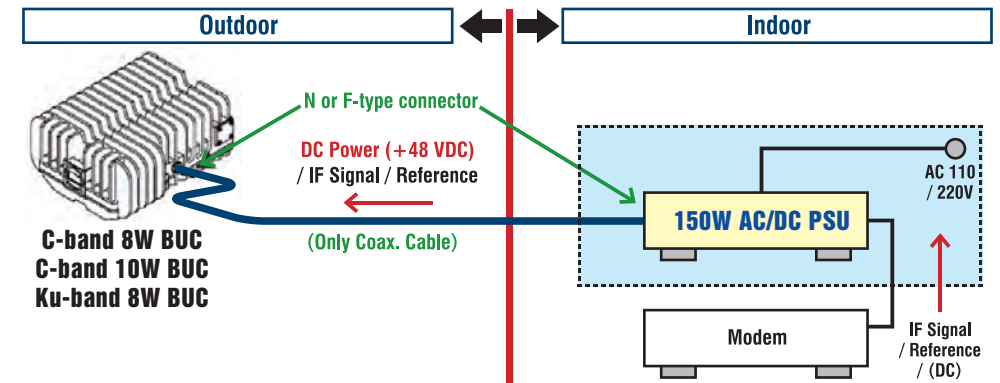
The features of Indoor 150W AC/DC Power Supply Unit (PSU) are to provide the stable +48V DC power to operate both C-band 8W/10W and Ku-band 8W BUCs, even if inner power supply of the modem is not capable enough to operate these BUCs. The indoor AC/DC PSU, which is having enough power supply of 150W as well as having the bias-tee which enable to pass 10MHz reference signal and IF signal from the modem, is operated by AC Power and enable to operate these BUCs. In addition the indoor 150W AC/DC PSU complies with **UL CERTIFICATION** and **EC DIRECTIVE** and this housing can fit the 1U rack mount with optional kit.



Indoor 150W AC/DC PSU

Applicable Models:  
NJT5118, NJT5218, NJT5760,  
NJT5762, NJT5763, NJT5764,  
and NJT8318 series

### Overview



C-band 8W BUC  
C-band 10W BUC  
Ku-band 8W BUC