

■ Universal Ku-band 4W BUC

MODEL No. NJT5207 series

< Features >

- * **Full Ku-band Coverage**
 - RF Frequency: 13.75 to 14.50 GHz
- * **High Efficiency & Low Distortion**
 - P1dB: +36 dBm min. over temperature
 - Power Consumption: 37 W max.
 - ACPR: 26 dBc @ Pout = +35 dBm
- * **Compact Size & Light Weight**
 - Weight: 1.7 kg
- * **LED Indicator Equipped**
- * **RoHS Compliance**



< Line-Up >

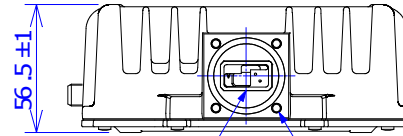
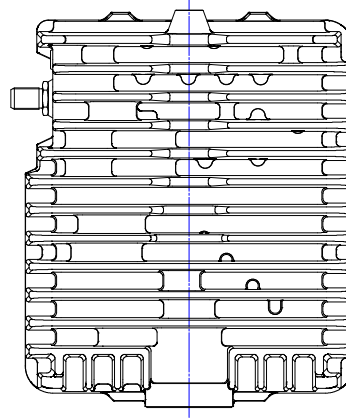
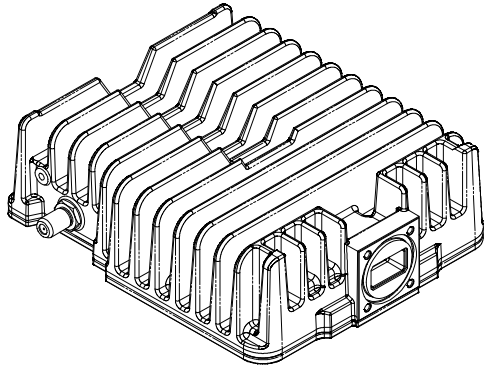
Model No.	RF Frequency	Local Frequency	IF Frequency	Output Power @ P1dB	IF Connector	Power Supply	LED Indicator
NJT5207N	13.75 to 14.5 GHz (Universal Ku-band)	12.8 GHz	950 to 1,700 MHz	4W Linear (+36 dBm min.)	N-type	+24 VDC (+15 to +30 VDC)	Equipped
NJT5207F					F-type		

< Specifications >

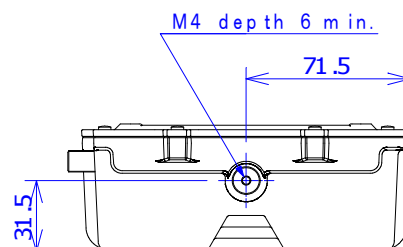
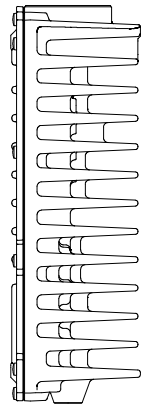
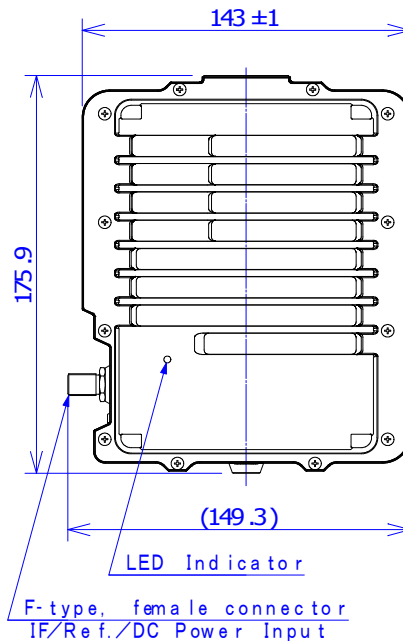
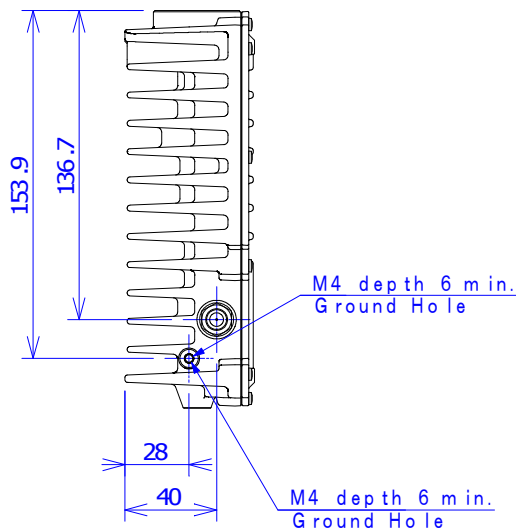
Item	Specifications	
Output Interface	Waveguide, WR75 (with Groove)	
Input Interface	N-type, female (50 ohm) [Model No.: NJT5207N] F-type, female (75 ohm) [Model No.: NJT5207F]	
Output Power @ 1 dB G.C.P.	+36 dBm min. over temperature	
Linear Gain	62 dB nom., 56 dB min.	
ACPR	26 dBc typ. @ Pout = +35 dBm	
Requirement for External Reference	[Frequency]	10 MHz (sine-wave)
	[Input Power]	-5 to +5 dBm @ Input port
	[Phase Noise]	-125 dBc/Hz max. @ 100 Hz
		-135 dBc/Hz max. @ 1 kHz -140 dBc/Hz max. @ 10 kHz
L.O. Phase Noise	-60 dBc/Hz max. @ 100 Hz	
	-70 dBc/Hz max. @ 1 kHz	
	-80 dBc/Hz max. @ 10 kHz	
	-90 dBc/Hz max. @ 100 kHz	
Receive Band Noise Density @ Pout <= +36 dBm	[Tx: 13.75 to 14 GHz]	-156 dBm/Hz max. @10.95 to 12.25 GHz -152 dBm/Hz max. @12.25 to 12.75 GHz
	[Tx: 14 to 14.5 GHz]	-156 dBm/Hz max. @10.95 to 12.75 GHz
Input V.S.W.R.	2.0 : 1 max.	
Output V.S.W.R.	2.0 : 1 max.	
Power Requirement / Consumption	+24 VDC (+15 to +30 VDC) / 37 W max.	
Mute	Shut off the HPA in case of L.O. unlocked or no 10 MHz reference signal.	
LED Indicator	GREEN: L.O. locked / RED: L.O. unlocked or no 10 MHz reference signal	
Temperature Range (ambient)	-40 to +55 C (operating), -40 to +75 C (storage)	
Dimension & Housing (without Interface Connectors)	175.9 mm (L) x 143 mm (W) x 56.5 mm (H)	
	[6.93" (L) x 5.63" (W) x 2.22" (H)]	
Weight	1.7 kg [3.7 lbs]	

■ Universal Ku-band 4W BUC
 MODEL No. **NJT5207** series

< Outline Drawing >
NJT5207F



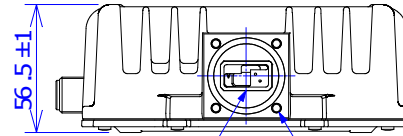
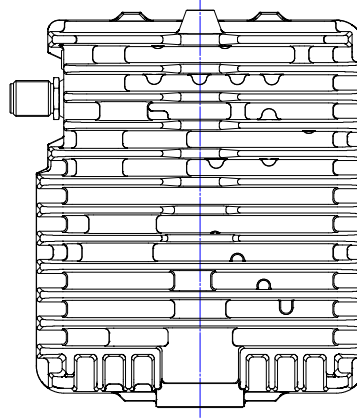
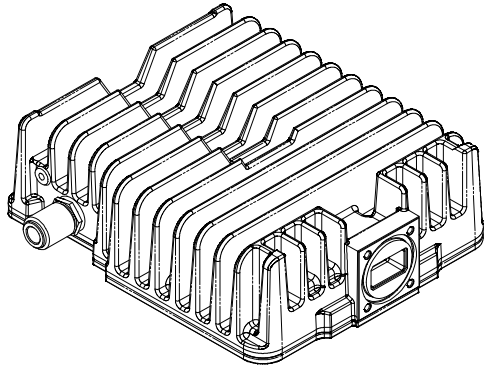
WR75 (with Grooved) RF Output 4-M4 depth 6 min.



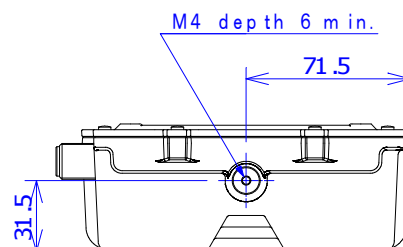
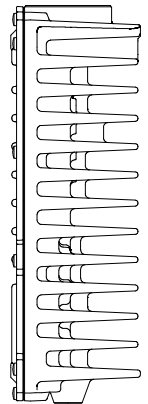
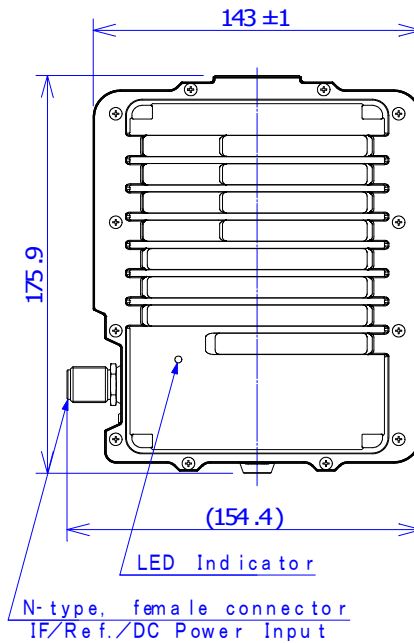
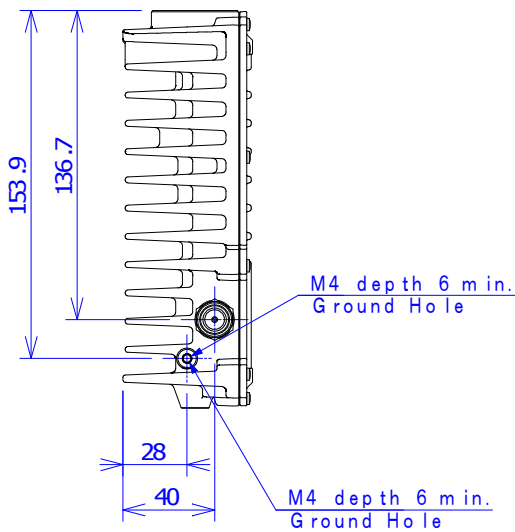
Tolerance: ±0.5
 Unit: mm

■ Universal Ku-band 4W BUC
 MODEL No. **NJT5207** series

< Outline Drawing >
NJT5207N



WR75 (with Grooved) RF Output 4-M4 depth 6 min.



Tolerance: ±0.5
 Unit: mm