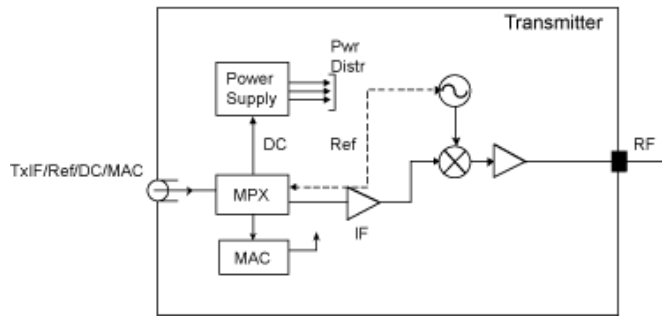


BUC Transmitter C-Band 1Watt /2Watt /5Watt Block Up Converter



Block Diagram



SPC Electronics Corp, a global leader in the design, manufacture, supply of Transmitter of VSAT has a wealth of experience in providing significant supplies to fulfill the needs of the wireless market.

FEATURE

- High speed data Transmission
- High power 1Watt /2Watt /5att C-Band Block Up Converter
- Reliability by design, Quality by design. Low cost by design
- Small, Light weight, Easy to install

TECHNICAL SPECIFICATIONS

Parameter	Specification		
	1W	2W	5W
Input Frequency	950-1525MHz		
Output Frequency	5.85-6.425GHz		
Local Frequecny	7.375GHz		
Output Power(P1dB)	+30dBm	+33dBm	+37dBm
Input Power Range	-10dBm Max		
Gain	50dB to 60dB	50dB to 60dB	56dB to 66dB
Gain Flatness	5dBp-p/575MHz		
Local Stability	Same as External Reference		
Local Phase Noise	-90dBc/Hz@100KHz		
Spurious(In-Band)	-50dBc		
Input Interface	N type Female		
Operating Temperature	-40°C to +55°C		
Dimensions	300x150x58mm	300x150x58mm	300x170x58mm
Weight	Approx 3.0Kg	Approx 3.0Kg	Approx 3.2Kg