



Ku-band 2W (3W typ.) Transmitter

Model No. NJT5037

Type 1 (N-type Female Input Connector)

Model No. NJT5037F

Type 2 (F-type Female Input Connector)

Specifications

Rev.07M January 13, 2006

Copyright 2006

New Japan Radio Co., Ltd

Microwave Components Division

-Notice of Proprietary Information-

This documents and its contents are proprietary to New Japan Radio Co., Ltd.
This publication and its contents may not be reproduced or distributed for any
other purpose without the written permission of New Japan Radio., Ltd



Caution

1. NJRC strives to produce reliable and high quality microwave components. NJRC's microwave components are intended for specific applications and require proper maintenance and handling. To enhance the performance and service of NJRC's microwave components, the devices, machinery or equipment into which they are integrated should undergo preventative maintenance and inspection at regularly scheduled intervals. Failure to properly maintain equipment and machinery incorporating these products can result in catastrophic system failures.
2. To ensure the highest levels of reliability, NJRC products must always be properly handled. The introduction of external contaminants (e.g. dust, oil or cosmetics) can result in failures of microwave components.
3. NJRC offers a variety of microwave components intended for particular applications. It is important that you select the proper component for your intended application. You may contact NJRC's sales office or sales representatives, if you are uncertain about the products listed in the catalog and the specification sheets.
4. Special care is required in designing devices, machinery or equipment, which demand high levels of reliability. This is particularly important when designing critical components or systems whose foreseeable failure can result in situations that could adversely affect health or safety. In designing such critical devices, equipment or machinery, careful consideration should be given to, amongst other things, their safety design, fail-safe design, back-up and redundancy systems, and diffusion design.
5. The products listed in the catalog and specification sheets may not be appropriate for use in certain equipment where reliability is critical or where the products may be subjected to extreme conditions. You should consult our sales office or sales representatives before using the products in any of the following types of equipment.
 - * Aerospace Equipment
 - * Equipment Used in the Deep Sea
 - * Power Generator Control Equipment (nuclear, steam, hydraulic)
 - * Life Maintenance Medical Equipment
 - * Fire Alarm/Intruder Detector
 - * Vehicle Control Equipment (automobile, airplane, railroad, ship, etc.)
 - * Various Safety Equipment
6. NJRC's products have been designed and tested to function within controlled environmental conditions. Do not use products under conditions that deviate from methods or applications specified in the catalog and specification sheets. Failure to employ NJRC's products in the proper applications can lead to deterioration, destruction or failure of the products. NJRC shall not be responsible for any bodily injury, fires or accidents, property damage or any consequential damages resulting from the misuse or misapplication of its products. **PRODUCTS ARE SOLD WITHOUT WARRANTY OF ANY OF KIND, EITHER EXPRESS OR IMPLIED, INCLUDING BUT NOT LIMITED TO ANY IMPLIED WARRANTY OF MERCHANTABILITY OR FITNESS FOR A PARLAR PURPOSE.**
7. The product specifications and descriptions listed in the catalog and specification sheets are subject to change at any time, without notice.



1. Electrical Performance

1-1.	Output Frequency Range	14.0 to 14.5 GHz
1-2.	Input Frequency Range	950 to 1,450 MHz
1-3.	Maximum IF Input Level (without damage)	+13 dBm max.
1-4.	Conversion Type	Single, fixed L.O.
1-5.	L.O. Frequency	13.05 GHz
1-6.	Frequency Sense	Positive
1-7.	Output Power @ 1dB G.C.P.	+35 dBm typ. +33 dBm min. over temp.
1-8.	Linear Gain	53 dB typ.
1-9.	Gain Variation over frequency @ fixed temperature	5 dBp-p max. over 500 MHz 2 dBp-p max. over 36 MHz
1-10.	Gain Stability over temperature @ fixed frequency	5 dBp-p max. 2 dBp-p typ.
1-11.	ACPR	26 dBc min. @+32 dBm output power Compliance with IESS308 / SSOG 308
1-12.	Requirement for External Reference	[Frequency] 10 MHz (sine-wave) [Input Power] -5 to +5 dBm @ Input port [Phase Noise] -125 dBc/Hz max. @ 100 Hz -135 dBc/Hz max. @ 1 kHz -140 dBc/Hz max. @ 10 kHz
1-13.	L.O. Phase Noise	-60 dBc/Hz max. @ 100 Hz -70 dBc/Hz max. @ 1 kHz -80 dBc/Hz max. @ 10 kHz -90 dBc/Hz max. @ 100 kHz -100 dBc/Hz max @ 1MHz
1-14.	Spurious	[in band] -50 dBc max. @ 14.0 to 14.5 GHz [in receive band] -70 dBm max. @ 10.95 to 12.75 GHz
1-15.	Receive Band Noise Density	-110 dBm/50kHz max. @10.95 to 12.75 GHz
1-16.	Input Impedance	50 ohms nom. [Model No. NJT5037] 75 ohms nom. [Model No. NJT5037F]
1-17.	Input V.S.W.R.	2 : 1 max
1-18.	Output V.S.W.R.	2 : 1 max.
1-19.	Output Load VSWR for Non Damage	Infinite : 1
1-20.	DC Power Requirement	+15 to +30 VDC 30 W max.
1-21.	Mute	Shut off the HPA in case of L.O. unlocked

2. Mechanical Specifications

2-1.	Input Interface	N-type, female (50 ohms) [Model No. NJT5037] F-type, female (75 ohms) [Model No. NJT5037F]
2-2.	Output Interface	Waveguide, WR-75
2-3.	Dimension & Housing	[Model No. NJT5037] 191.8. mm (L) x 119 mm (W) x 44.5 mm (H) [7.55" (L) x 4.69" (W) x 1.75" (H)] [Model No. NJT5037F] 186.7 mm (L) x 119 mm (W) x 44.5 mm (H) [7.35" (L) x 4.69" (W) x 1.75" (H)]
2-4.	Weight	1.2 kg max. [2.6 lbs]
2-5.	Vibration	5 G (3 axis, 50 Hz to 2 kHz) 1 mm p-p (3 axis, 5 to 50 Hz)
2-6.	Shock	30 G (3 axis)

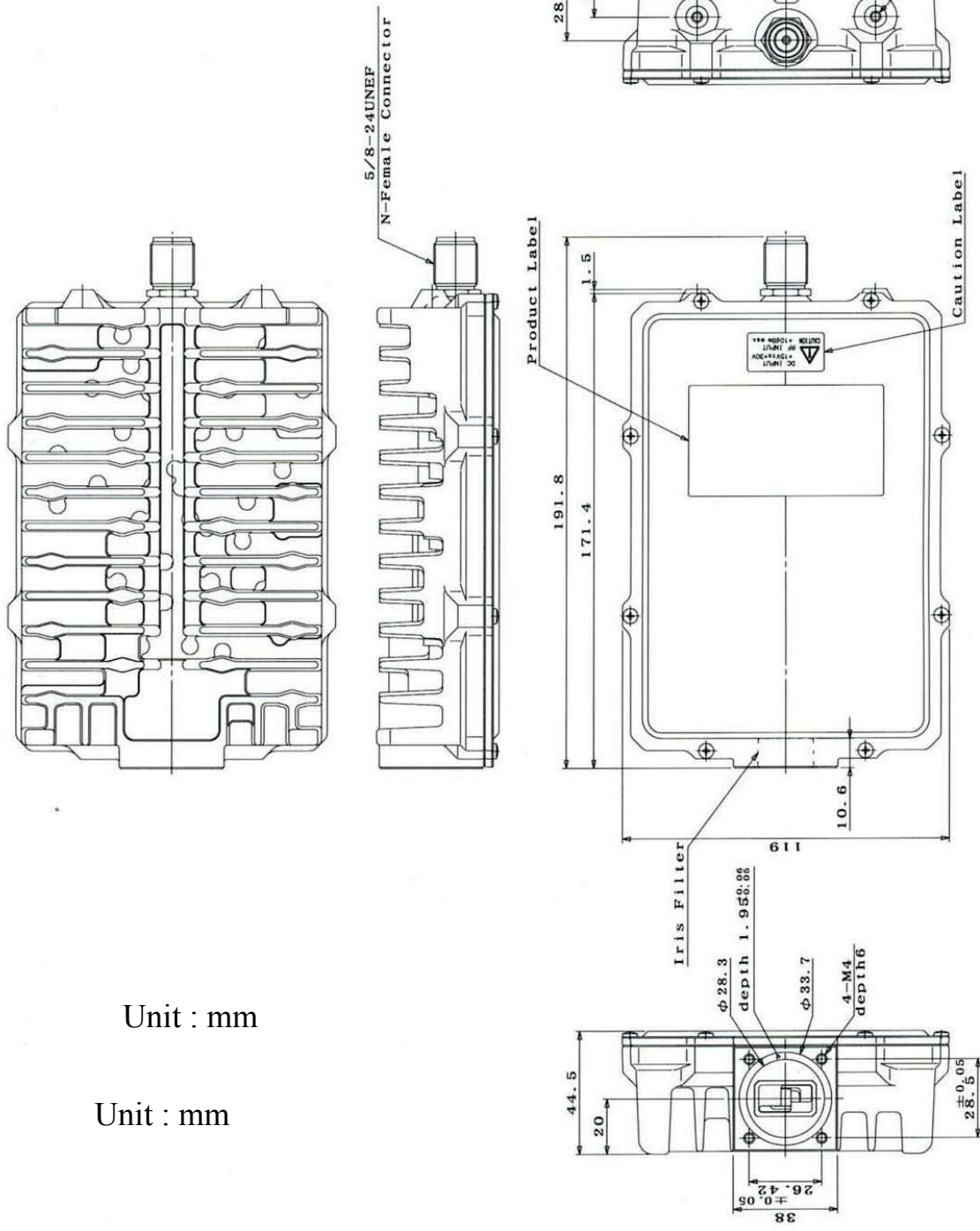


3. Environmental Specifications

3-1.	Temperature Range (ambient)	-40 to +55 C (operating) -40 to +75 C (storage)
3-2.	Humidity	0 to 100 %
3-3.	Altitude	15,000 feet

4. Outline Drawing

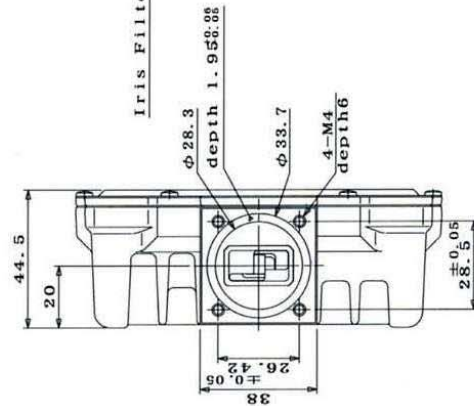
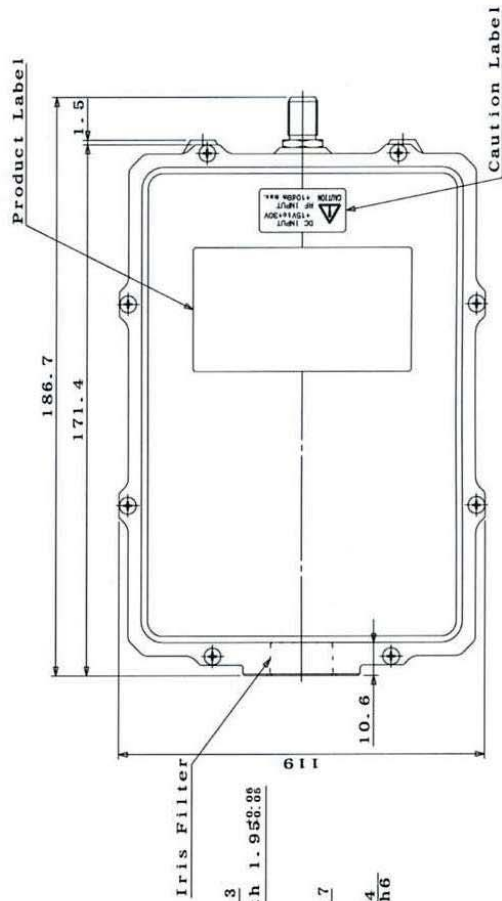
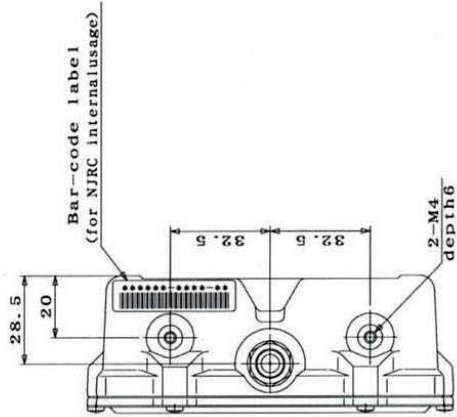
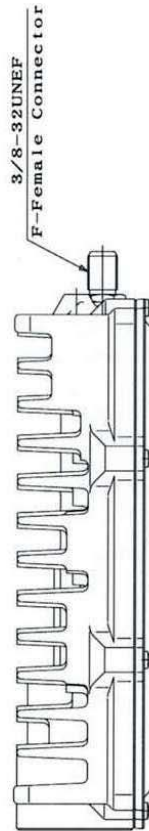
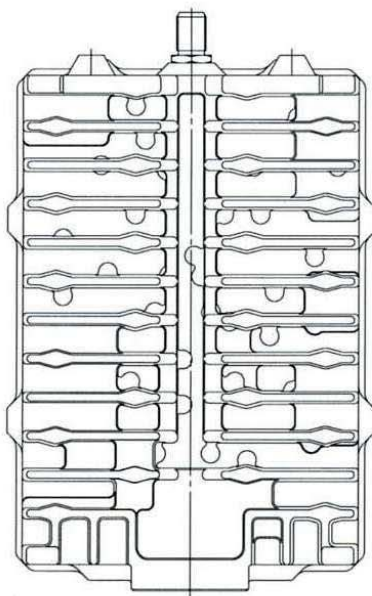
Type1(N-type Female Input Connector): NJT5037



Unit : mm

Unit : mm

Type2 (F-type Female Input Connector): NJT5037F



Unit : mm