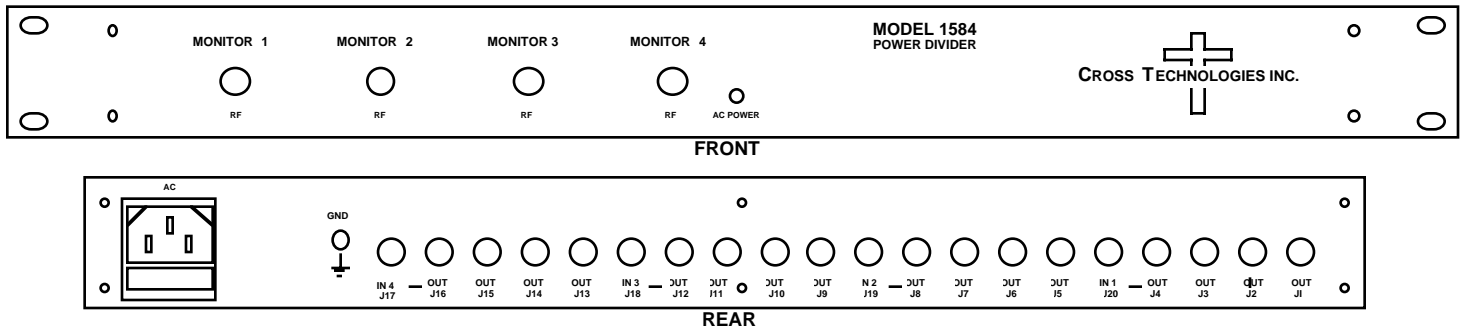


1584 S-Series RF Splitters

The 1584 S-Series RF Splitters are just like the 1584 RF Splitters except that they do not provide any fused LNB voltage insertion and there is only one power supply (no redundancy). They are available in three models. The 1584-25S contains two five-way splitters, the 1584-29S contains two nine-way splitters, and the 1584-45S contains four five-way splitters. All splitters are 0.95 - 2 GHz, 0 dB gain splitters and each model is contained in a 1 Rack Unit chassis with a single 115 VAC power supply.

EQUIPMENT DESCRIPTION

All models contain a varying combination of 0.95 - 2 GHz, 0 dB gain splitters in a 1 Rack Unit chassis. Each splitter has a monitor connector on the front panel and four or eight outputs on the back panel. One 115 VAC input power supply provides + 15 VDC voltage to power the amplifier included in each splitter circuit. A surge suppressor on each input protects against high voltage transients. On the front panel, a green LED indicates the presence of voltage at the power supply output.



1584-45S Front and Rear Panels

EQUIPMENT SPECIFICATIONS*

Input Characteristics

Input Impedance/RL 75 Ω /10db, min, 0.95-2.05 GHz;
14dB, typ, 0.95-1.75 GHz
Input Level -20 dBm total maximum

Output Characteristics

Impedance/RL 75 Ω /10db, min, 0.95-2.05 GHz;
14dB, typ, 0.95-1.75 GHz

In-Band Characteristics

Gain +0 dB \pm 1.0 dB
Frequency Response \pm 1.0 dB, .95 - 2.05 GHz; \pm 0.5 dB, any 20 MHz incr.
Port to Port Isolation > 18 dB, min., >20 dB typ.

Indicators

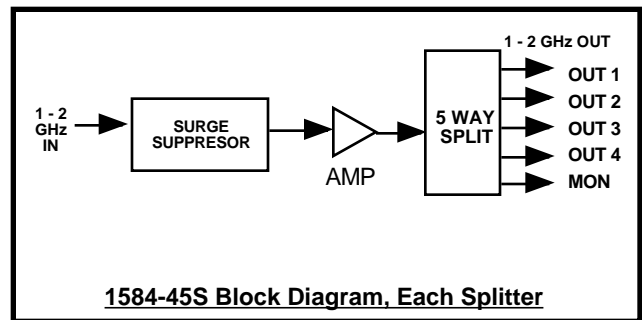
Power Green LED indicates DC voltage from power supply

Other

Surge Suppressor SiDACTOR
RF connectors Type F , female
AC Power 90 - 260 VAC, 50 -60 Hz, 30 watts max
Mechanical 19 inch standard chassis 1.75"high X 12" deep

Models

1584-25S two five-way splitters
1584-29S two nine-way splitters
1584-45S four five-way splitters



1584-45S Block Diagram, Each Splitter

*Specifications subject to change without notice: 10 to 40 deg C