



C-band 20W Block Transmitter

Model No. NJAL5964-20 / NJAL5964-20F

< Features >

- * High Efficiency Output Power (20W minimum @P1dB over temperature)
- * 110/220 VAC Autoranging Operation

<Line-Up>

Model No.	RF Frequency	Local Frequency	IF Frequency	Output Power	Connector
NJAL5964-20	5.850 to 6.425 GHz	4.90 GHz	950 to 1,525 MHz	20W Linear	N-Type
NJAL5964-20F					F-Type

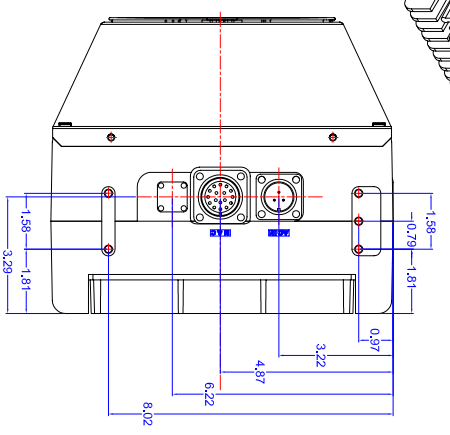
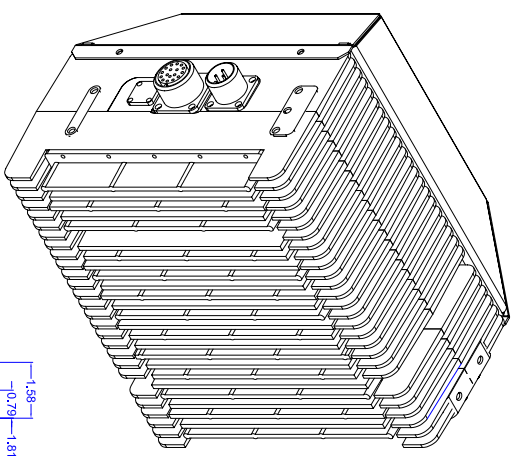
< Specifications >

Item	Specifications
Output Interface	Waveguide, CPR137G
Output Power @ 1dB G.C.P.	+43 dBm typ. over temp.
Linear Gain	70 dB nominal
Requirement for External Reference (Frequency)	10 MHz (sine-wave)
	(Input Power)
	(Phase Noise)
	-5 to +5 dBm @ Input port
	-135 dBc/Hz max. @ 100 Hz
	-140 dBc/Hz max. @ 1 kHz
	-143 dBc/Hz max. @ 10 kHz
L.O. Phase Noise	-60 dBc/Hz max. @ 100 Hz
	-70 dBc/Hz max. @ 1 kHz
	-80 dBc/Hz max. @ 10 kHz
	-90 dBc/Hz max. @ 100 kHz
Input V.S.W.R.	2 : 1 max
Output V.S.W.R.	2 : 1 max.
AC Power Requirement	110/220 VAC
	180 W max.
Mute	Shut off the HPA in case of L.O. unlocked
Input Interface	N-type, female (50 ohms) (Model NJAL5964-20)
	F-type, female (75 ohms) (Model NJAL5964-20F)
Dimension	12.1" x 9.2" x 9.2"
	(300 mm x 230mm x 230mm)
Weight	25 lbs max. (11.5 kg)
Temperature Range (ambient)	-40 to +55 C (operating)
	-40 to +75 C (storage)

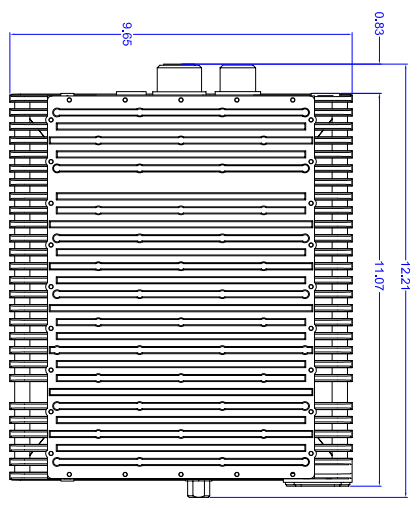
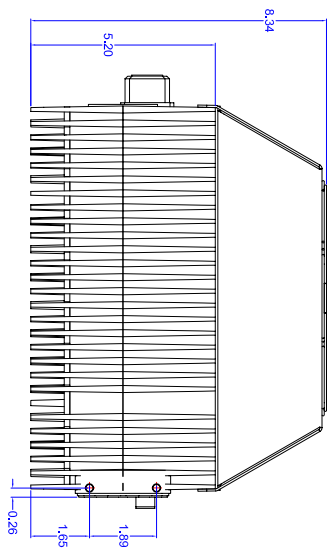
Specification is subject to change without notice.

THIS INFORMATION IS UNCLASSIFIED AND IS BEING RELEASED TO THE PUBLIC. IT IS THE PROPERTY OF ALGA MICROWAVE AND SHOULD NOT BE REPRODUCED OR TRANSMITTED IN ANY FORM OR BY ANY MEANS, ELECTRONIC OR MECHANICAL, INCLUDING PHOTOCOPYING, RECORDING, OR BY ANY INFORMATION STORAGE AND RETRIEVAL SYSTEMS WITHOUT THE WRITTEN PERMISSION OF ALGA MICROWAVE. THIS DOES NOT APPLY TO ANY TRADEMARKS.

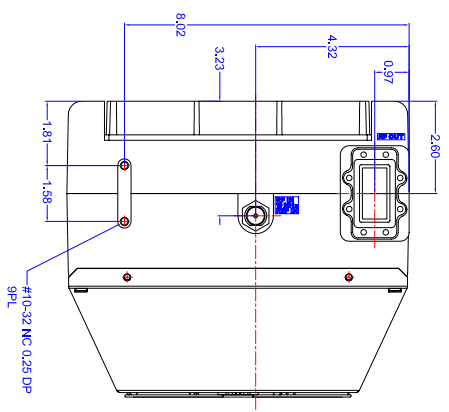
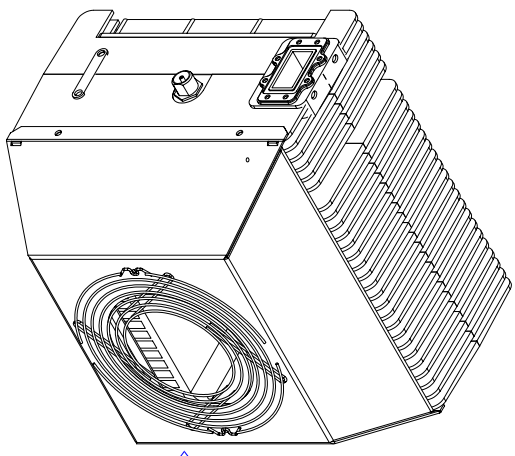
4



3



2



1

REV#	REVISIONS	DATE	APPROVED
0A	Initial Release	NOV 29 2005	AY

UNLESS OTHERWISE SPECIFIED
 DIMENSIONS ARE IN INCHES
 TOLERANCES ARE:
 DECIMALS X.101
 FRACTIONS XXXXX/1000
 DEGREES ± 0°30'
 DO NOT SCALE DRAWING

TITLE
**20-60W C-BAND ODU TRANSMITTER
 OUTLINE DRAWING**

ALGA MICROWAVE
 302-3700 GRIFFITH VILLAGE, SUITE 283, CANADA
 TEL: 514-735-5098; FAX: 514-735-9864; WWW.ALGA.CA

PART NO.	NEXT QTY RECD	FINAL PER ASSY	USED ON APPLICATION	APPROVED	DATE	SCALE	SHEET
				AY	NOV 29 2005	B	1 OF 1

SPECIFICATION IS SUBJECT TO CHANGE WITHOUT NOTICE



RF OUT

L BAND IF IN
10 MHZ REF