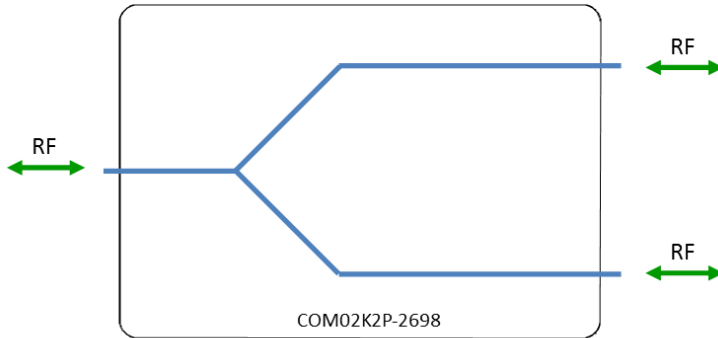


2-Way KU-Band Passive Splitter/Combiner

10-15 GHz



Available with RF connector options:

- 50 Ω SMA



10-15 GHz
Operating frequency range.



Compact
Housed in rugged compact enclosure

Passive

RF Parameters		
COM02K2P-2698-XXXX	S5S5	
Frequency Range	10-15 GHz	
RF Connectors	50Ω SMA	
Mean Insertion Loss (dB)	0.4±0.3	
Flatness ± (dB)	0.3	
Input Return Loss (dB)	Typ.	22
	Min	15
Output Return Loss (dB)	Typ.	22
	Min	15
Isolation (dB)	Typ.	25
	Min	18
Amplitude Balance (dB)	≤±0.4	
Phase Balance (Φ)	≤±5°	
The given Insertion Loss specified is the loss above the theoretical limit for a lossless divider		

Broadcast



Marine Oil & Gas



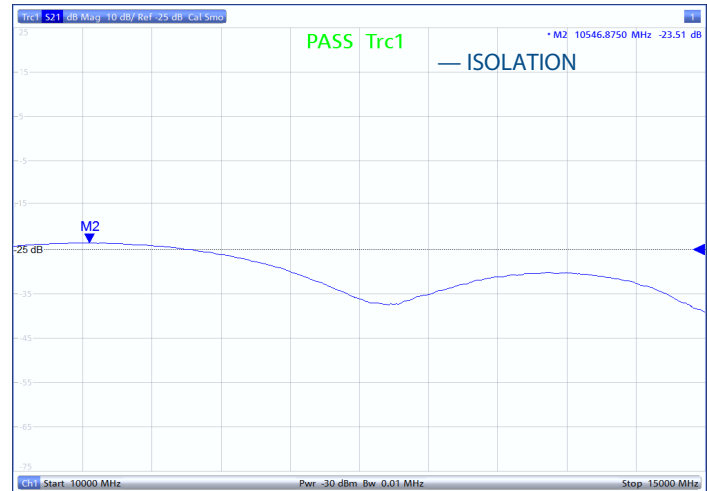
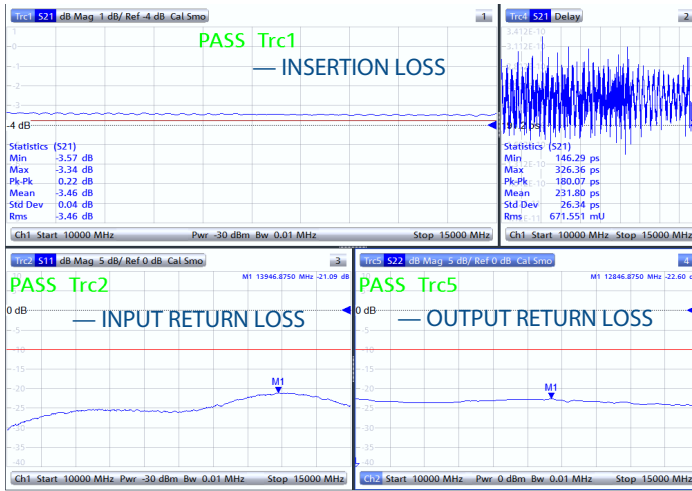
SNG & VSAT



Satellite Teleport



Technical specifications and operating parameters



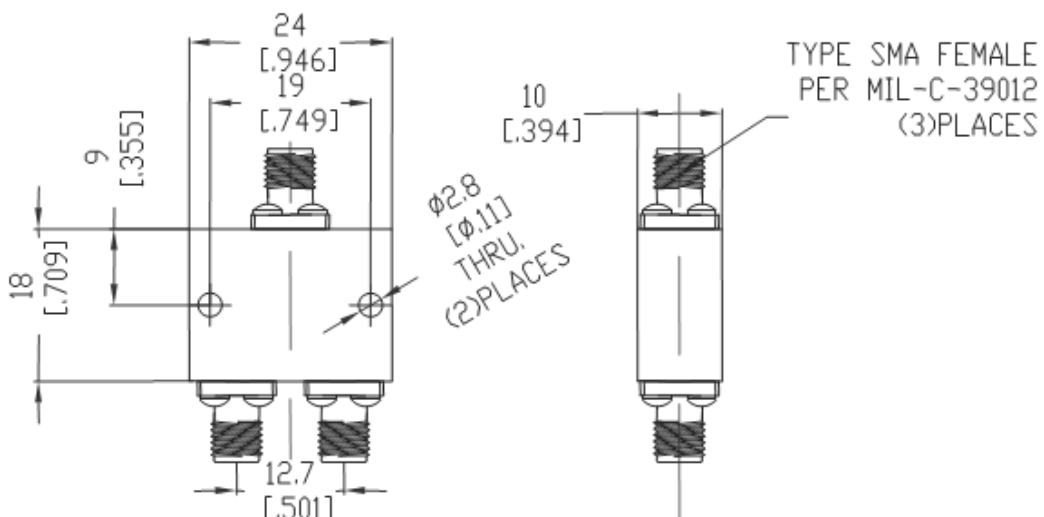
Environmental	
Operating Temperature	-40°C to +85°C
Storage Temperature	-40°C to +85°C
Location	Indoor use Only
Humidity	Max 85% non-condensing
Altitude	Max 10,000 feet

Max Operating Parameters	
Input RF Power	30W as Splitter 1W as Combiner
DC Voltage	N/A
DC Current	N/A

! Operation beyond these limits may cause instantaneous and permanent damage.

Physical Dimensions (mm)

50Ω SMA Connectors



Note: The specification is subject to regular reviews and will be updated from time to time as part of our continuing product development and improved specification accuracy.