



# COM04C6P-2643

RF Engineering &  
Custom Build

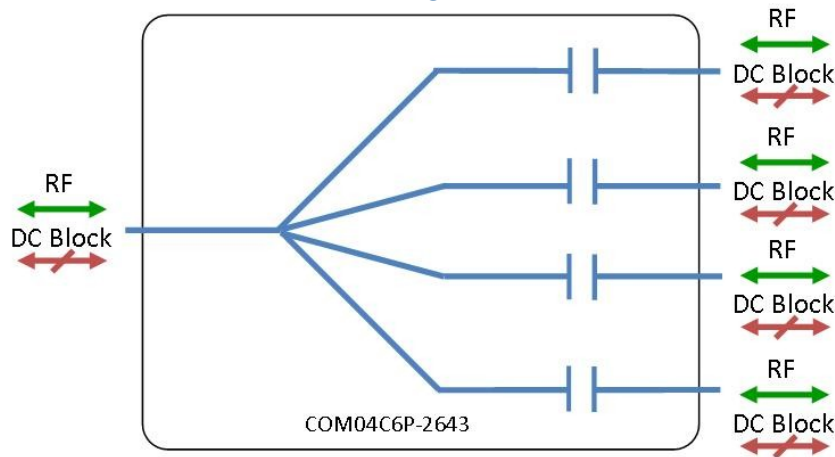
4-way C-band passive splitter/combiner



COM04C6P-2643 is a 4-way passive C-band splitter/combiner with DC block on all ports.

This component is available with the following RF connector options: 50  $\Omega$  SMA and N-type.

Vector diagram



RF Parameters

COM04C6P-2643-xxxx	S5S5	N5N5
Frequency Range	5800-6650 MHz	5800-6650 MHz
RF Connectors	50 $\Omega$ SMA	50 $\Omega$ N-Type
Insertion Loss	1.5 dB typ	1.5 dB typ
	2.2 Max	2.2 Max
Flatness	$\pm 1.5$ dB typ	$\pm 1.5$ dB typ
Input Return Loss	15 dB	15 dB
	10 dB Min	10 dB Min
Output Return Loss	18 dB typ	18 dB typ
	12 dB Min	12 dB Min
Isolation Typical (dB)	20 dB typ	20 dB typ
Phase & Amplitude Misalignment	2 $^\circ$	2 $^\circ$
	05 dB	05 dB

\* The quoted insertion loss is loss above theoretical due to power split. For 4-way splitters theoretical value is 6dB.

**BROADCAST**



**MARINE OIL & GAS**



**SNG & VSAT**



**SATELLITE TELEPORT**





# COM04C6P-2643

RF Engineering &  
Custom Build

## 4-way C-band passive splitter/combiner

### Environmental

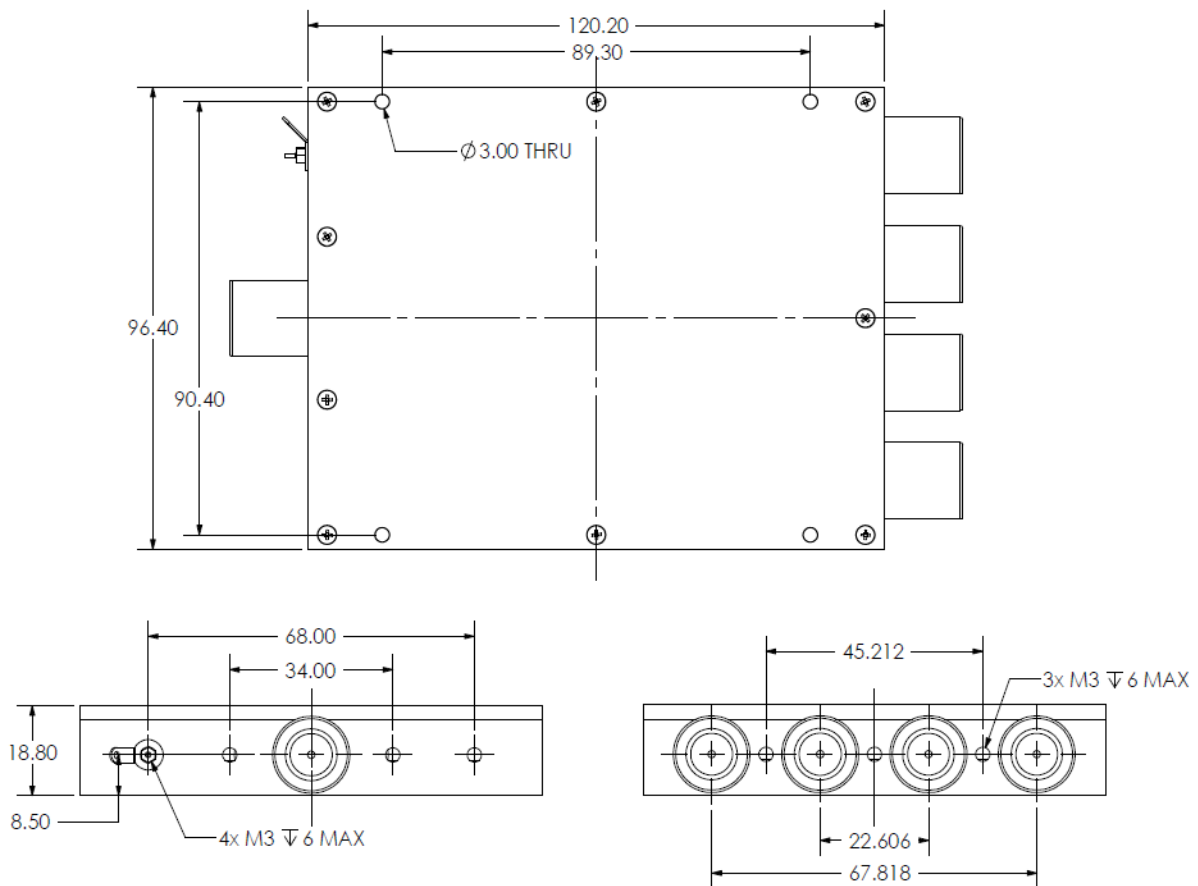
Operating Temperature	0°C to 45°C
Storage Temperature	-20°C to +75°C
Location	Indoor use Only
Humidity	85% non-condensing
Altitude	10,000 feet

### Max Operating Parameters

Input RF Power	5W as splitter 2W as combiner
DC Voltage	30 V
DC Current	3A Max

**!** Operation beyond these limits may cause instantaneous and permanent damage.

### Physical dimensions





# COM04C6P-2643

RF Engineering &  
Custom Build

4-way C-band passive splitter/combiner

Feature set of 4-way Passive C-band splitters/combiners

Model Number	Frequency	DC Pass/Block
COM04C4P-2553	2.0-4.2 GHz	DC pass on ALL ports
COM04C4P-2585	2.0-4.2 GHz	DC pass on ONE output, DC block on all other outputs
COM04C4P-2589	2.0-4.2 GHz	DC block on ALL ports
COM04C1P-2550	3.4-4.2 GHz	DC pass on ALL ports
COM04C1P-2586	3.4-4.2 GHz	DC block on ALL ports
COM04C3P-2552	3.4-6.5 GHz	DC pass on ALL ports
COM04C3P-2588	3.4-6.5 GHz	DC block on ALL ports
COM04C2P-2551	5.8-6.5 GHz	DC pass on ALL ports
COM04C2P-2587	5.8-6.5 GHz	DC block on ALL ports

