

# LC 2150A Series

## Active (Amplified-Zero Loss) L-Band Combiners



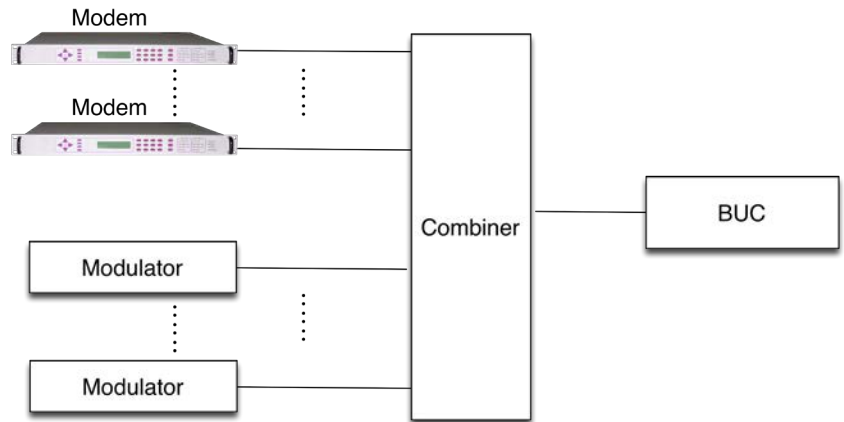
**LC12 2150A**  
12-way Active L-Band Combiner



**LC24 2150A**  
24-way Active L-Band Combiner

### General Description:

The **LC 2150A** series commercial quality active L-band combiners meet strict level, match, and loss specifications achieved through the use of Quitech's proprietary microstrip and SMT technology. These unity gain combiners operate over the satellite L-band (950-2150 MHz) frequency range and enable the combining of RF signals with repeatable performance over the entire frequency range and across all I/O ports.



Specifications:*	LC12 2150A	LC24 2150A
Operating Frequency:	950-2150 MHz	950-2150 MHz
Configurations:	12x1	24x1
Impedance:	75 Ω or 50 Ω	75 Ω or 50 Ω
P1dB:	-2 dBm (Each Input)	-5 dBm (Each Input)
Insertion Loss:	0 ± 2 dB	0 ± 2.5 dB
Frequency Response:	± 2 dB	± 2.5 dB
Isolation:	18 dB	18 dB
Input Return Loss:	12 dB	12 dB
Output Return Loss:	12 dB	12 dB
Noise Figure:	19 dB	27 dB
RF Connectors:	F-Type, BNC 75 Ω or 50 Ω	F-Type, BNC 75 or 50
Power Requirements:	18-24 VDC Via 2-Pin Quick Connect Barrier Strip <sup>1</sup>	18-24 VDC Via 2-Pin Quick Connect Barrier Strip <sup>1</sup>
Power Consumption:	6 W	13 W
Mechanical:	1 RU: 1.75" H x 19" W x 6.5" D	2 RU: 3.5" H x 19" W x 14" D
Weight:	5.3 lbs Gross (Boxed), 2.8 lbs Net	10 lbs Gross (Boxed), 6.5 lbs Net

\*Specifications may vary with connector type. See individual specification sheet for specific performance data.

<sup>1</sup>A/C adapter sold separately