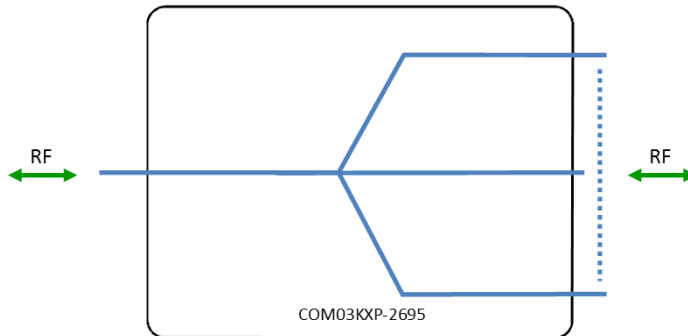


3-Way Wideband Passive Splitter/Combiner

6-18 GHz



Available with RF connector options:

- 50 Ω SMA



6-18 GHz
Operating frequency range.



Compact
Housed in rugged compact enclosure

Passive

RF Parameters	
COM03KXP-2695-XXXX	S5S5
Frequency Range	6-18 GHz
RF Connectors	50Ω SMA
Mean Insertion Loss (dB)	0.6±0.6
Flatness ± (dB)	0.4
Input Return Loss (dB)	Typ. 20
	Min 12
Output Return Loss (dB)	Typ. 20
	Min 12
Isolation (dB)	Typ. 22
	Min 17
Amplitude Balance (dB)	≤±0.7
Phase Balance (Φ)	≤±8°
The given Insertion Loss specified is the loss above the theoretical limit for a lossless divider	

Broadcast



Marine Oil & Gas



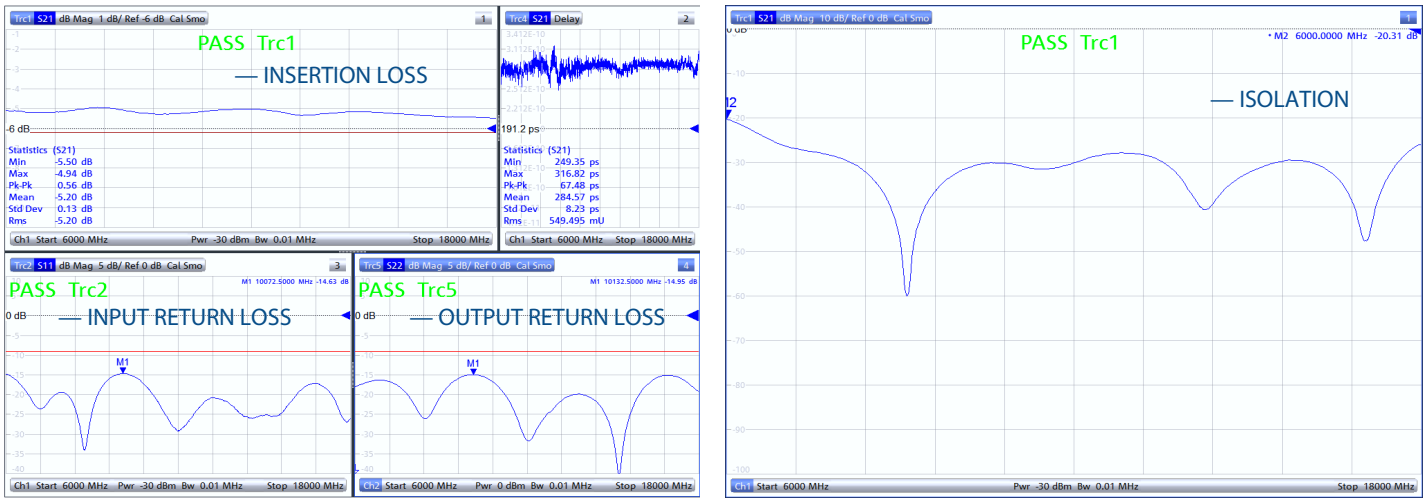
SNG & VSAT



Satellite Teleport



Technical specifications and operating parameters



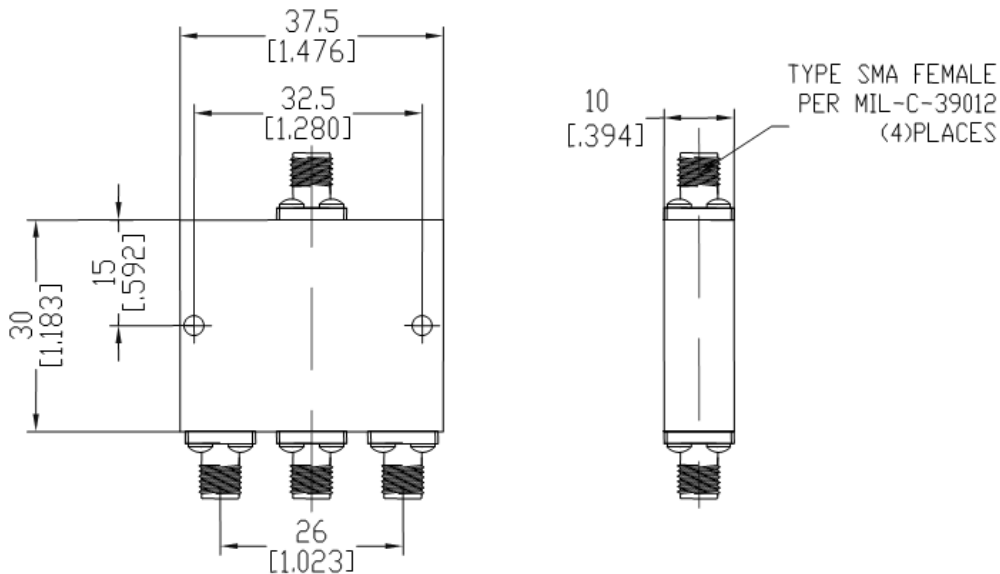
Environmental	
Operating Temperature	-40°C to +85°C
Storage Temperature	-40°C to +85°C
Location	Indoor use Only
Humidity	Max 85% non-condensing
Altitude	Max 10,000 feet

Max Operating Parameters	
Input RF Power	30W as Splitter 1W as Combiner
DC Voltage	N/A
DC Current	N/A

! Operation beyond these limits may cause instantaneous and permanent damage.

Physical Dimensions (mm)

50Ω SMA Connectors



Note: The specification is subject to regular reviews and will be updated from time to time as part of our continuing product development and improved specification accuracy.