

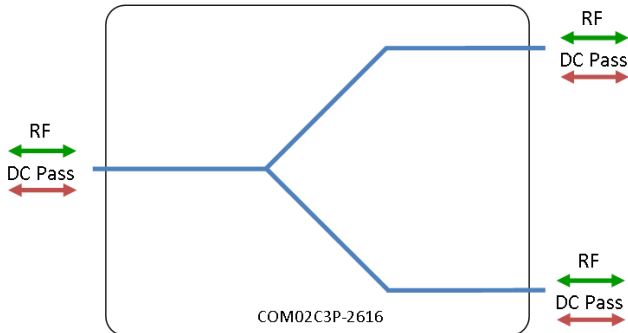


RF Components

Model Number:
COM02C3P-2616

2-Way C-Band Passive Splitter/Combiner

3.4 - 6.5 GHz



- All RF ports DC pass.

Available with RF connector options:

- 50 Ω SMA
- 50 Ω N-type



3.4-6.5 GHz
Operating frequency range. C-Band ready



Compact
Housed in rugged compact enclosure

Flexible Mounting
Tapped screw & through hole mounting options

RF Parameters		
COM02C3P-2616-XXXX	S5S5	N5N5
Frequency Range	3.4-6.5 GHz	
RF Connectors	50 Ω SMA	50 Ω N-Type
Mean Insertion Loss (dB)	0.9 \pm 0.4	0.9 \pm 0.4
Flatness \pm (dB)	0.6	0.6
Input Return Loss (dB)	Typ.	20
	Min	10
Output Return Loss (dB)	Typ.	20
	Min	9
Isolation (dB)	Typ.	18
Amplitude Balance (dB)	\leq 0.5	\leq 0.5
Phase Balance (Φ)	\leq 5 $^\circ$	\leq 5 $^\circ$
The given Insertion Loss specified is the loss above the theoretical limit for a lossless divider		

Broadcast



Marine Oil & Gas



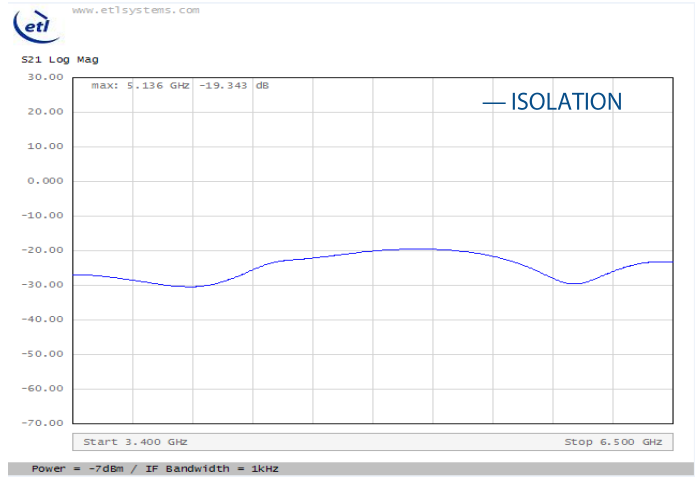
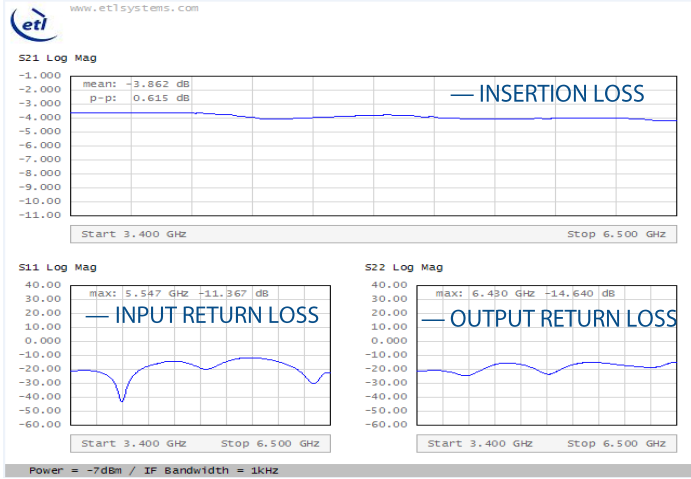
SNG & VSAT



Satellite Teleport



Technical specifications and operating parameters

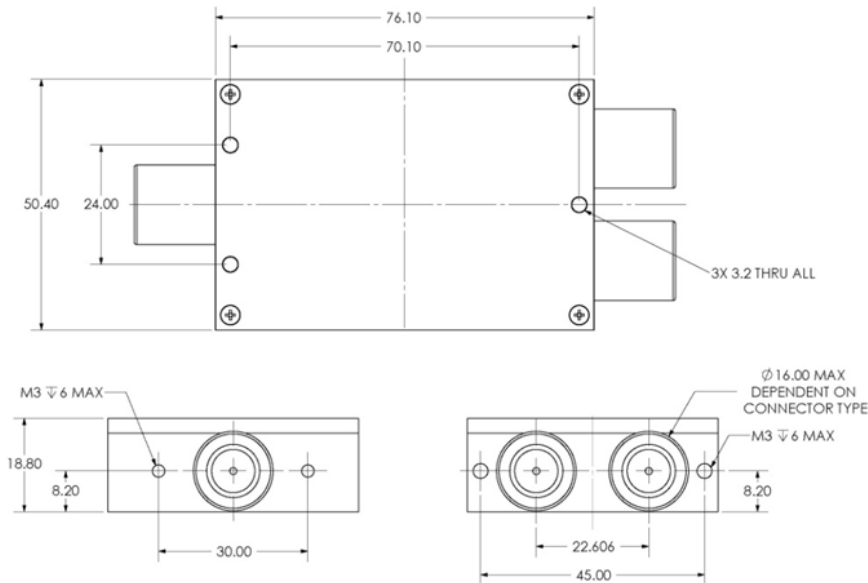


Environmental	
Operating Temperature	0°C to +45°C
Storage Temperature	-20°C to +75°C
Location	Indoor use Only
Humidity	Max. 85% non-condensing
Altitude	Max. 10,000 feet

Max Operating Parameters	
Input RF Power into matched load with 20dB return loss	+27dBm (500mW) as combiner +37dBm (5W) as splitter
DC Voltage	35V on any RF port
DC Current	500mA
DC Consumption	N/A

! Operation beyond these limits may cause instantaneous and permanent damage.

Physical Dimensions (mm)



Note: The specification is subject to regular reviews and will be updated from time to time as part of our continuing product development and improved specification accuracy.