



BUC

CUSTOMIZABLE KA-BAND ATOM SERIES FOR LEO NETWORK SPECIFICATIONS



	ATOMBKA025	ATOMBKA050		
Output Power (Psat)**	44 dBm min.	47 dBm min.	Input Voltage	+20V to +56V DC via power connector
Plinear*	41 dBm min.	44 dBm min.	Power Consumption	025: 285 W max. 050: 580 W max.
Phase Noise (SSB) max.	-62 dBc/Hz at 100Hz -72 dBc/Hz at 1kHz -82 dBc/Hz at 10kHz -92 dBc/Hz at 100kHz -102 dBc/Hz at 1MHz		Power Connector	MIL-26482 Series 1 receptacle Shell Size 12, 4 Pins 58-533723-04P
Linear Gain	60 dB typ., 55 dB min., 65 dB max.		Maximum Current @20 VDC	025: 14.8A max. 050: 29.0A max.
Gain Flatness:			Input (waterproof)	BUC: Type N Female (50 Ohm) SSPA: SMA Type 2.92mm Female (50 Ohm)
Over Full Band (25W)	≤ 3.5 dB p-p		Output (waterproof)	WR-28 waveguide grooved
Over Full Band (50W)	≤ 4.0 dB p-p		M&C Interface	C: RS-485 & RS-232, or B: RS-485 & Ethernet
Over Any 40 MHz	≤ 1.0 dB p-p		Dimensions (L x W x H) (excluding connectors)	025: 140 mm x 80 mm x 170 mm 050: 300 mm x 140 mm x 120 mm
Over Temperature	≤ 3.0 dB p-p		Weight	025: 3.2 kg, 2.5 kg (with external baseplate) 050: 6.9 kg, 5.9 kg (with external baseplate)
Output Spurious: In-Band	≤ -55 dBc		Operating Temperature	-40 to +60°C
Out-of-Band	≤ -60 dBc		Storage Temperature	-54 to +71°C
Noise Power Density	-65 dBm/Hz in Tx -156 dBm/Hz in Rx		Humidity	100% condensing
Input VSWR	1.5 : 1 max.		External Ref Freq	10 MHz (sine-wave), -5 to +5 dBm
Output VSWR	1.9 : 1 max.		Enclosed Accessories	Screws, Gasket, M&C Connector, Power Connector

*as per MIL-STD 188

** Output power might drop by 1dBm for Frequency band under 28.0 GHz

STANDARD FREQUENCY BANDS

	M: Military	C: Commercial	D: Dual Band	
Transmit Frequency (GHz)	30.0 - 31.0	29.0 - 30.0	29.0 - 30.0	30.0 - 31.0
L.O. Frequency (GHz)	29.00	28.05	28.05	or 29.05
IF Frequency (MHz)	1000 - 2000	950 - 1950	950 - 1950	950 - 1950

CUSTOMIZABLE FREQUENCY BANDS

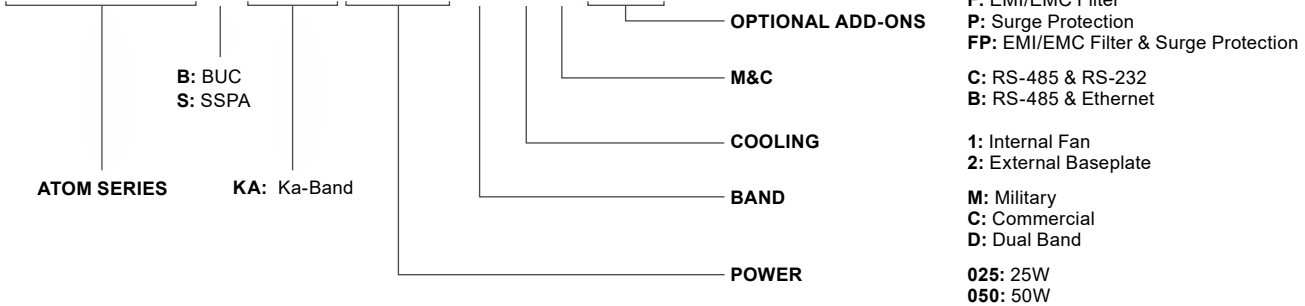
- Frequency range from 27.5GHz -31.0 GHz
- Band selection from single up to quad bands
- Customize tuning with 50KHz Increments
- Up to 1 GHz per band & 2.5 GHz combined bands



KA-BAND 25W 50W BUC: ATOMBKA

HOW TO ORDER

ATOMBKA025M1CFP



MONITOR & CONTROL

M&C Interface	RS-485 & RS-232, or RS-485 & Ethernet
M&C Connector:	MIL-26482 Series 1 receptacle Shell Size 12, 10 Pins 58-533723-10P
Mute Control:	Fully configurable (mute enable: high or low, mute default: enabled or disabled)
Low	0.0 - 0.8V
High	3.0 - 5.0V
Thermal Shutdown Temperature	90°C (Accuracy ± 3°C)

OPTIONAL CONFIGURATION ADD-ONS*

EMI/EMC Filter*:	MIL-STD-461G
Surge Protection*:	MIL-STD-1275D

*Optional add-ons only available for 25W, please contact NORSAT for 50W add-ons

OPTIONAL ACCESSORIES

Power Supply	025: PS300-AT1-(NA/UK/EU/IEC) 050: PS600-AT1-(NA/UK/EU/IEC)
M&C Cable (10m)	CABLEM+C-AT10

MECHANICAL DIAGRAM

