

### Advantages

Packaged solution for multi-carrier operation.

One port passes DC, FSK, and 10 MHz reference signals, when present, from modem to IBUC; other ports block DC and 10 MHz to avoid interference.

Companion product for the IFU which multiplexes DC and/or 10MHz reference when required.

Passive device in a compact package simplifies mounting and minimizes cable runs.

Choice of N-type (50 Ohm) or F-type (75Ohm) connectors.



Terrasat's 4-Way Divider/Combiner provides a simple, compact solution for multi-carrier operations. This device is specifically designed for use with L-band modems and the Terrasat IBUC L-band Block Upconverter series.

Used as a combiner, the unit combines L-band signals from up to four modulators for use with a single L-band Block Upconverter. As a divider, the device splits a receive signal to feed up to four demodulators.

Port number one passes L-band along with DC power, FSK M&C, and 10 MHz reference signals when present. The other three ports pass only L-band avoiding interfering signals from the additional modems.

The Combiner/Divider can work in conjunction with the Terrasat IFU which provides the capability to inject DC power and/or 10 MHz reference on to the L-band Coax cable to the IBUC.

The Combiner/Divider mounts conveniently at the rear of a standard equipment rack.

A choice of connector options is available.

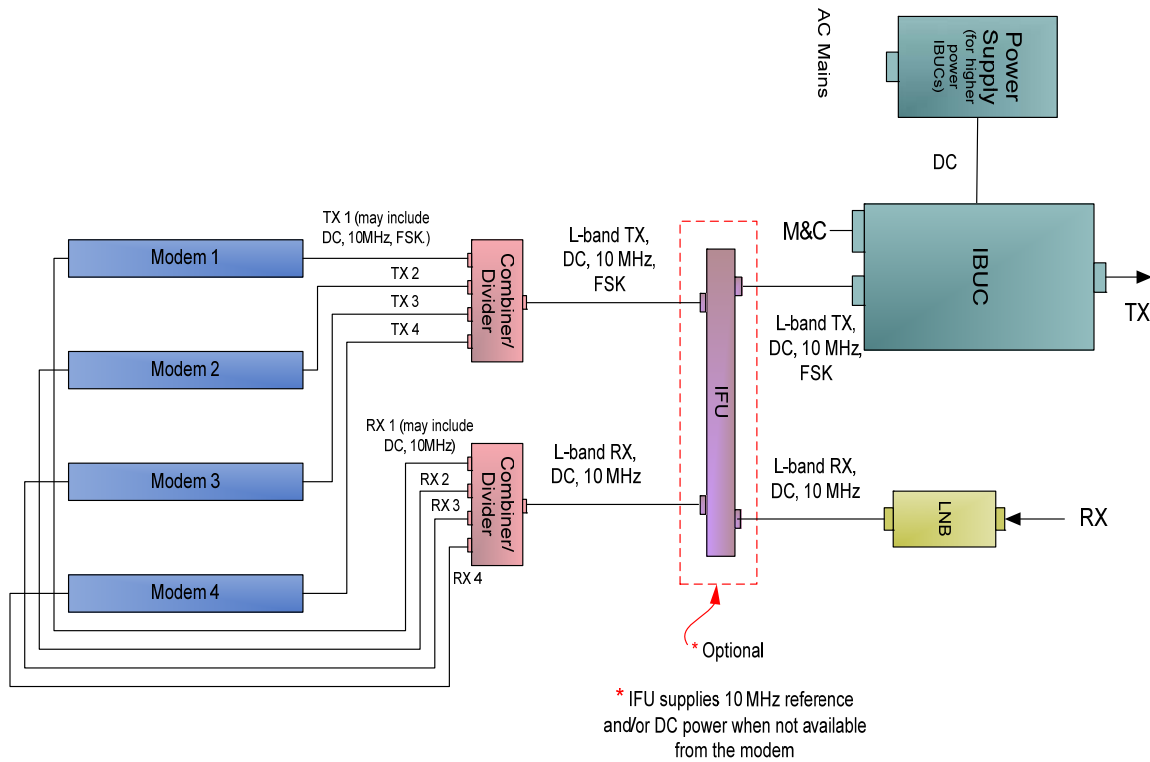
For additional information contact Servsat Sales at +1 770-757-1767 or by Email: [Sales@Servsat.com](mailto:Sales@Servsat.com).

**Frequency Range:**

**Insertion Loss, above**

# Combiner/Divider, 4-Way, Specifications

Port 1:	L-band 950 to 1750 MHz	Amplitude Unbalance:	0.7 dB
	DC	<b>Current Capacity:</b>	6.0 A
	FSK 580 to 720 kHz 10MHz	<b>Operating Temperature:</b>	0 to 50°C
Ports 2, 3, and 4:	L-band 950 to 1750 MHz	<b>Dimensions:</b>	5.0x2.5x1.0 inches
<b>Isolation:</b>	19 dB min.	<b>Connectors:</b>	N-type 50 Ohm, standard F-type 75 Ohm, optional
<b>VSWR, L-band, all ports:</b>	2:1		



Specifications are subject to change without notice

Comb/Div Data Sheet 02/12/08