

SPECIFICATIONS

FREQUENCY BAND : SEE TABLE BELOW

INSERTION LOSS : SEE TABLE BELOW

VSWR RX: 1.3:1 MAX
 TX: 1.3:1 MAX

ISOLATION TX-RX: 70 dB
 RX-TX: 35 dB
 RX-RX: 35 dB
 TX-TX: 35 dB

CROSSPOL : 35 dB MIN

PRESSURIZATION: SEALED TO 5.0 PSIG

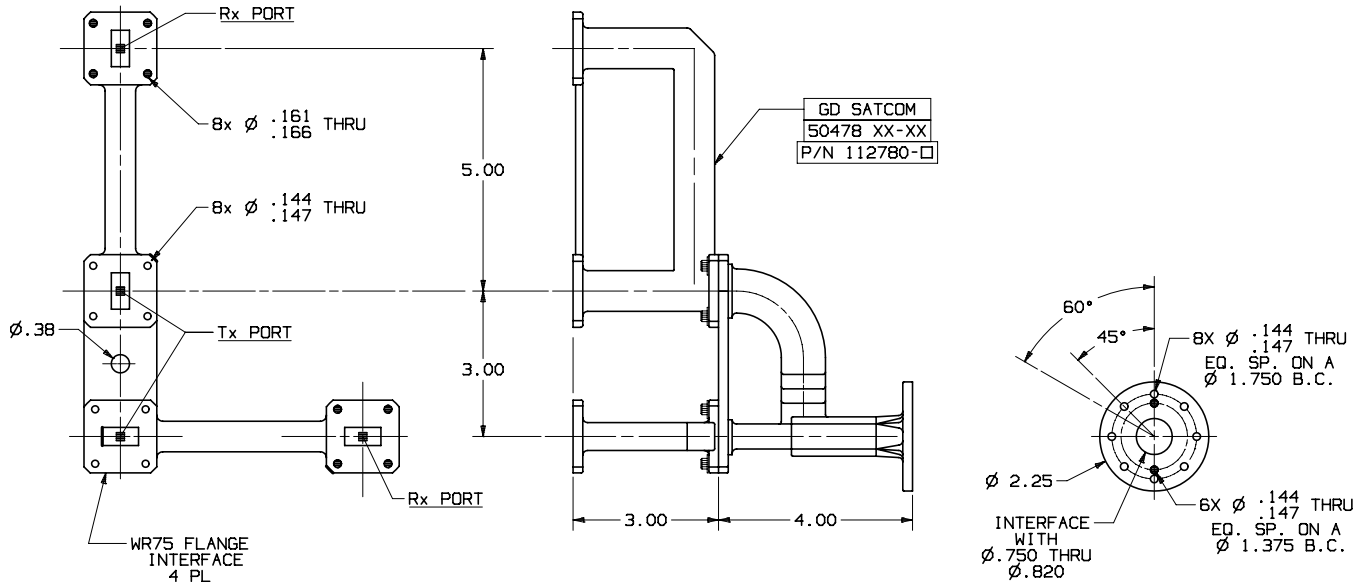
FINISH

FLANGE FACES: CHEM FILMED PER MIL-C-5541C CLASS 1A.

EXTERIOR: WHITE PAINT, COLOR No. 17875 PER FED-STD-595.

REVISIONS

REV	DESCRIPTION	DATE	APPROVED
A	SEE REVISION SHT		



WR75 FLANGE
 INTERFACE
 4 PL

UNLESS OTHERWISE SPECIFIED

INTERPRET DIMENSIONING & TOLERANCING PER ANSI Y14.5M-1982. DIMENSIONS ARE IN INCHES. DIMENSIONS SHOWN IN () ARE FIP REFERENCE ONLY. TOLERANCES ARE:
 SURFACE- TOLERANCES-
 .XX ±.03
 .XXX ±.003
 .XXXX ±
 ANGLES 40°30'
 MATERIAL: 63

APPROVALS	DATE
DRAWN: L. Tavalin	08-09-02
CHECKED: H. Spieleder	08-09-02
ENGR:	
WFB:	
DR:	
EAR CONTROLLED:	
Export or re-export subject to IS CFR 700-799.	

GENERAL DYNAMICS PROPRIETARY			
GENERAL DYNAMICS			
SATCOM Technologies			
3111 Fujita St., Torrance, CA 90505, (310) 539-6704			
Ku-BAND 4-PORT DIPLEXER			
Rx/Tx, X-POL			
SIZE	FSCM No.	DNG No.	112780-□
C	50478		A
SCALE: 7:10			SHEET 1

CONFIGURATION	FREQUENCY BAND		INSERTION LOSS	
	Rx (2 PORTS)	Tx	Rx	Tx
-1	10.95-11.70 GHz	13.75-14.50 GHz	0.45dB MAX	0.35dB MAX
-2	11.45-12.20 GHz		0.40dB MAX	
-3	12.00-12.50 GHz			
-4	12.20-12.75 GHz			