



MICROWAVE COMPONENT

1000W AC/DC OUTDOOR POWER SUPPLY

APPLICATIONS

Provide DC power for Norsat 40W and 50W Solid State Power Amplifiers (SSPA)
Rugged machined aluminum chassis
Environmentally sealed and moisture resistant



TYPICAL SPECIFICATIONS PS-1000W

Electrical Specifications

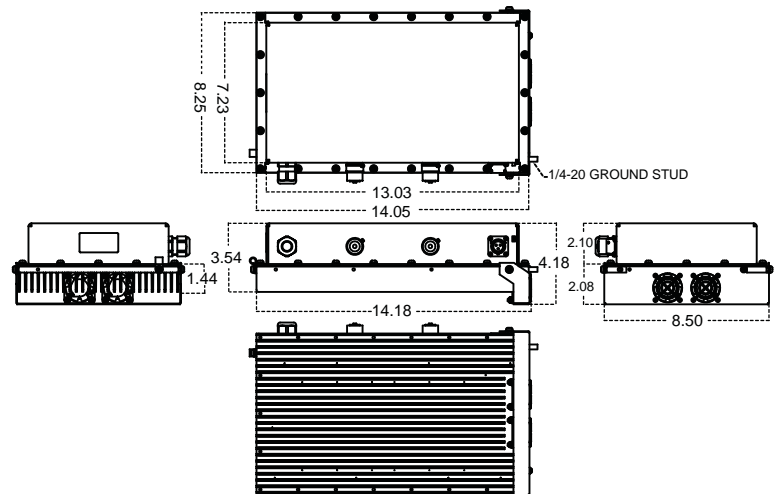
Input voltage	95 - 264 VAC
Input frequency	47 - 63 Hz
Current maximum	8A at 100 VAC
Output power	800W
Output voltage	48V
Cable AC	120 V / 15 A shielded 16.4 ft (5m)

Environmental Specifications

Operating temperature	-30 to +50 degrees Celsius
-----------------------	----------------------------

Mechanical Specifications

Input interface	Amphenol PT02E-12-3P
Output interface	Amphenol PT06E-14-5S(SR) Cable 5ft
Dimensions	360 (L) x 220 (W) x 110 (H) mm (14.2 x 8.7 x 4.3 in)
Weight	5.8 kg / 12.8 lb
Color	Yellow chromate



MECHANICAL DIAGRAM