



Ku band Single LNB
Model No. NJR2144HT
Specifications

Rev.04M January 7, 2003

Copyright 2003

New Japan Radio Co., Ltd.

Microwave Components Division

-Notice of Proprietary Information-

This documents and its contents are proprietary to New Japan Radio Co., Ltd.
This publication and its contents may not be reproduced or distributed for any
other purpose without the written permission of New Japan Radio Co., Ltd.



1. Scope

This specification details the requirements for the low noise amplifier and block downconverter intended for Direct Broadcasting Satellite-to-Home downlink application in 11.7 to 12.2 GHz, Ku-Band. All specifications shall apply throughout the full range of the specified environmental conditions unless otherwise specified.

2. Electrical Specifications

#	Item	Specification
2-1.	Input Frequency Band	11.70 to 12.20 GHz
2-2.	Input Waveguide Flange	WR 75
2-3.	Input V.S.W.R.	2.5 : 1 typ.
2-4.	Noise figure (Ta: +25 C)	0.9 dB typ. 1.3 dB max.
2-5.	Output Frequency Band	950 to 1,450 MHz
2-6.	Conversion Gain (Ta: +25 C)	54 dB min.
2-7.	Conversion Gain Variation (Ta: +25 C)	2.0 dB max. (In any 50MHz segment over the frequency band)
2-8.	Conversion Gain Drift	+4 dB typ. at -40 C -2 dB typ. at +60 C
2-9.	Output Power for 1 dB Gain Compression	0 dBm min.
2-10.	Intermodulation Products (3rd order intermodulation rejection with two -6 dBm output carriers separated by 5 MHz.)	31 dBc min.
2-11.	Local Oscillator Leakage Levels	a) -25 dBm max. at the F type output connector. b) -50 dBm max. at the waveguide flange.
2-12.	Local Oscillator Frequency Temperature Stability (-40 to +60 C)	10.7495 to 10.7505 GHz (Including Initial offset) [10.750 GHz +/- 500 kHz]
2-13.	Phase Noise	-57 dBc/Hz min. -60 dBc/Hz typ. at 1 kHz offset -80 dBc/Hz typ. at 10 kHz offset -100 dBc/Hz typ. at 100 kHz offset
2-14.	Image Rejection Ratio	40 dB min.
2-15.	Output V.S.W.R. (75 ohm)	2.0:1 typ.
2-16.	Power Requirement	+15 to +24 V dc
2-17.	Current Drain	170 mA max.

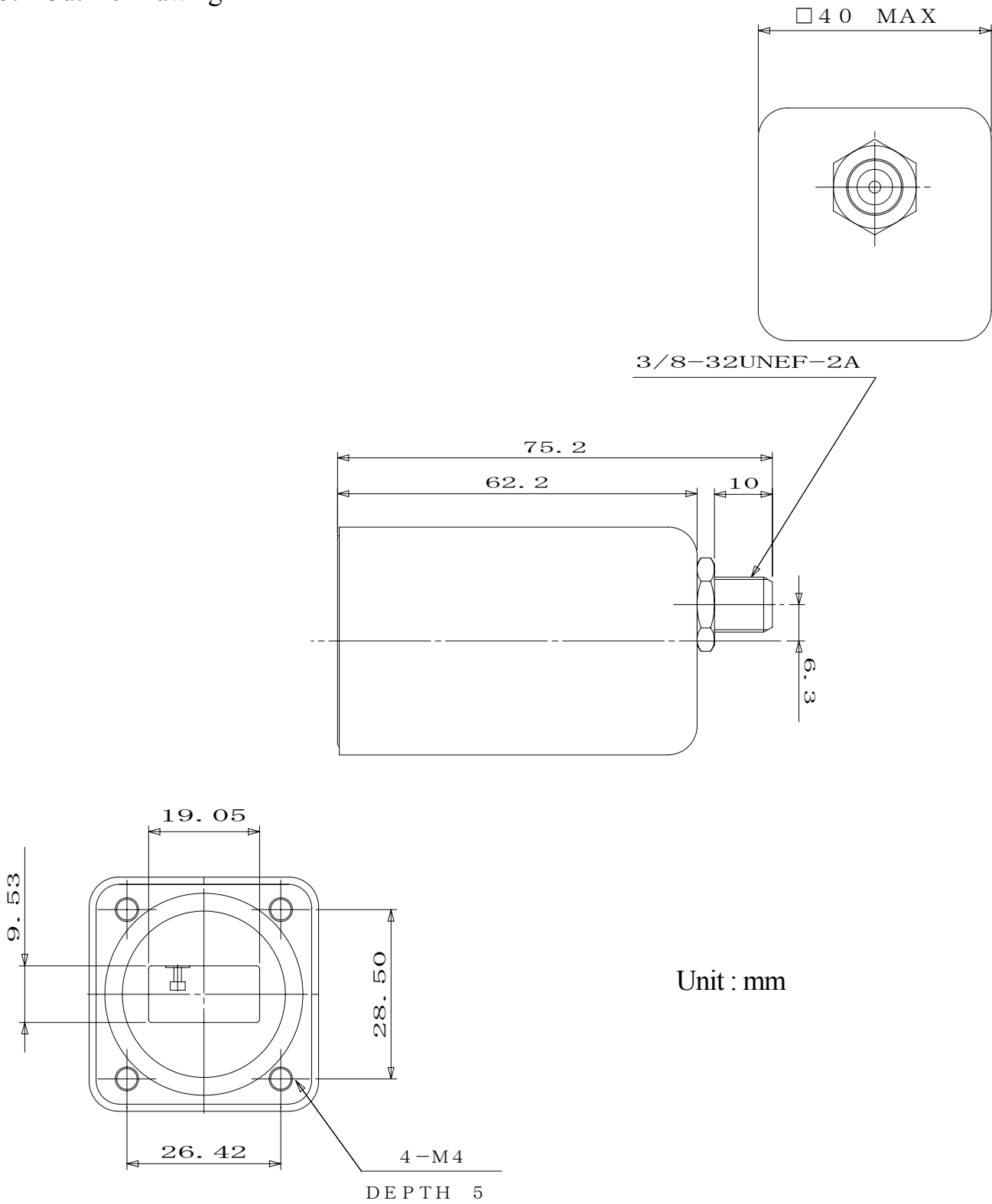
3. Environmental Specifications

#	Item	Specification
3-1.	Operating Temperature Range	-40 to +60 C
3-2.	Storage Temperature Range	-40 to +80 C
3-3.	Humidity	100 %Rh (max)
3-4.	Vibration	G=5 (f=50±2 Hz, t=5(min), Direction ; X,Y,Z)
3-5.	Shock	G=15 (Direction ; X,Y,Z)

4. Absolute Maximum Rating

#	Item	Specification
4-1.	RF Input Power	-10 dBm (@ CW) +10 dBm (@ Pulse)
4-2.	Supply Voltage	+28 Vdc

5. Outline Drawing



Unit : mm