

## 2-way Passive IF-band Splitter/Combiner



COM02F2P-2561 is a 2-way passive IF (50 to 200MHz) splitter/combiner with DC block on both output ports.

This component is available with the following RF connector options: 50  $\Omega$  SMA, N-type, BNC and 75  $\Omega$  BNC or F-type.

Summary table for RF performance over IF operation, 50 MHz to 200 MHz

Model Numbers	Conn.	Insertion Loss* (dB)		Isolation Typical (dB)	Return Loss (dB)		Phase & Amplitude Misalignment	
		Typ.	Max		Typ.	Min	$\Phi$	Amp(dB)
COM02L1P-2561-S5S5	50 $\Omega$ SMA	0.3	0.5	30	25	20	2	0.15
COM02L1P-2561-N5N5	50 $\Omega$ N-type	0.3	0.5	30	25	20	2	0.15
COM02L1P-2561-B5B5	50 $\Omega$ BNC	0.3	0.6	30	25	20	2	0.15
COM02L1P-2561-B7B7	75 $\Omega$ BNC	0.4	0.7	28	25	18	4	0.20
COM02L1P-2561-F7F7	75 $\Omega$ F-type	0.5	0.9	25	20	15	5	0.25

\* The quoted insertion loss is loss above theoretical due to power split. For 2-way splitters theoretical value is 3dB. 10 MHz insertion loss is 3dB max above the theoretical. Typical values may vary between different production batches.

### Maximum acceptable operating parameters for reliable and safe operation

Parameter	Value	Comment
Input RF power	+27 dBm (0.5W)	Max total RF power
DC Voltage	50V	Any RF port
Operating temperature	0 to 45 C	Indoor use only
Storage Temperature	-20 C to +75 C	
Humidity	85%	Non-condensing

**!** Operation beyond these limits may cause instantaneous and permanent damage.

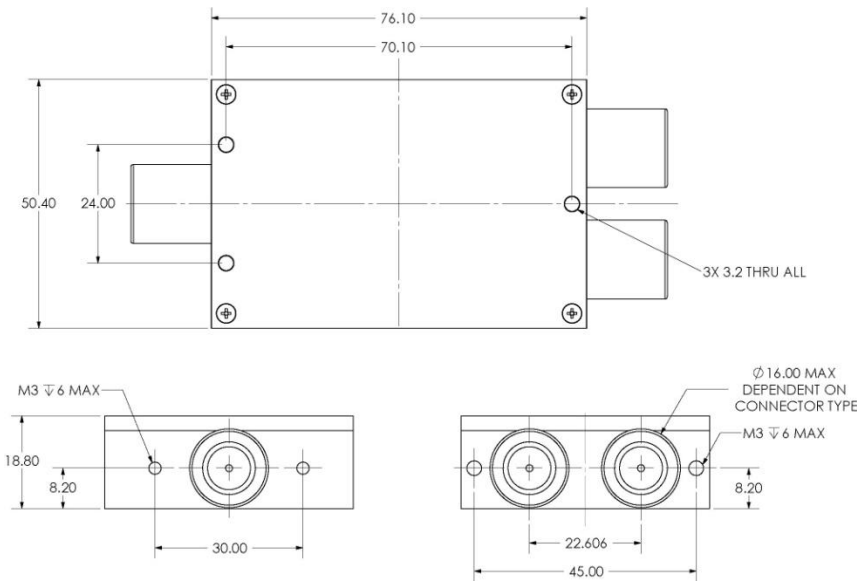
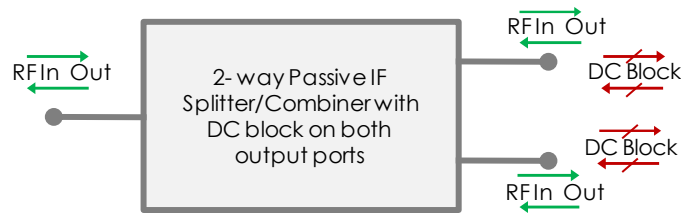


# COM02F2P-2561

2-way Passive IF-band Splitter/Combiner



## Vector diagram & physical dimensions



**N.B:** The housing and fixing holes may vary from time to time. This would be to expedite delivery by using an alternative suitable, similar housing. If this is a concern please advise with your order.

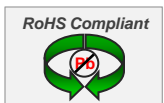
## Examples of other 2-way passive IF-band splitters/combiners

Model Number	DC Pass/Block	Frequency
COM02F2-2557	DC block on one port	50 to 200 MHz



ETL Systems Ltd, Coldwell Radio Station, Madley, Hereford, HR2 9NE, England

ETL Systems design, develop and manufacture specialist equipment for satellite ground stations. For a full description of the ETL product range, please see our website at [www.servsat.com](http://www.servsat.com). This product range provides the basis for meeting your specific demands.



Tel +1 (770)754 4547

[sales@servsat.com](mailto:sales@servsat.com)

V 3.0 E&OE