

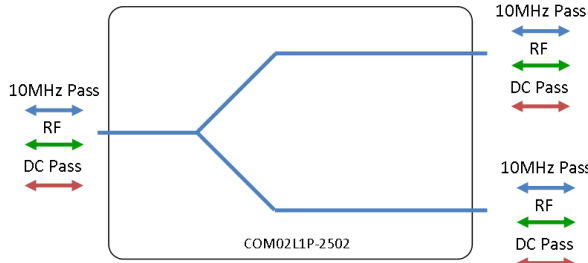


Model Number:
COM02L1P-2502

RF Components

2-Way L-Band Passive Splitter/Combiner

850 - 2150 MHz



- All RF ports DC & 10MHz pass
- Available with RF connector options:
- 50 Ω SMA
 - 50 Ω N-type
 - 50 Ω BNC
 - 75 Ω BNC
 - 75 Ω F-type



850-2150 MHz
Operating frequency range. L-Band ready



Compact
Housed in rugged compact enclosure

Flexible Mounting
Tapped screw & through hole mounting options

Passive

RF Parameters					
COM02L1P-2502-XXXX	S5S5	N5N5	B5B5	B7B7	F7F7
Frequency Range	850 - 2150MHz				
RF Connectors	50Ω SMA	50Ω N-Type	50Ω BNC	75Ω BNC	75Ω F-Type
Mean Insertion Loss (dB)	0.4±0.4	0.4±0.4	0.4±0.4	0.7±0.5	0.7±0.5
Flatness ± (dB)	0.4	0.4	0.4	0.8	0.8
Input Return Loss (dB)	Typ.	21	21	21	12
	Min	15	15	15	8
Output Return Loss (dB)	Typ.	25	25	25	18
	Min	18	18	18	14
Isolation (dB)	Typ.	20	20	20	18
Amplitude Balance (dB)	≤0.15	≤0.15	≤0.15	≤1.0	≤1.0
Phase Balance (Φ)	≤2°	≤2°	≤2°	≤10°	≤10°

The given Insertion Loss specified is the loss above the theoretical limit for a lossless divider
 10MHz Insertion Loss is up to 3dB above the theoretical loss*
 10MHz Rejection is 20dB*
 *To ports which are applicable

Broadcast



Marine Oil & Gas



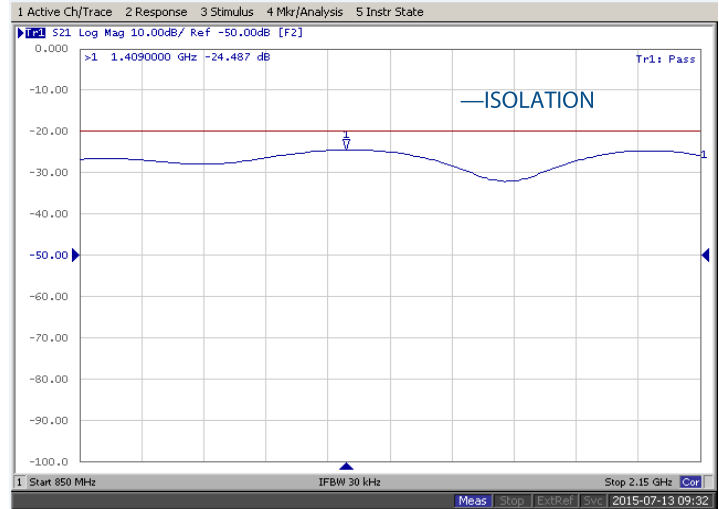
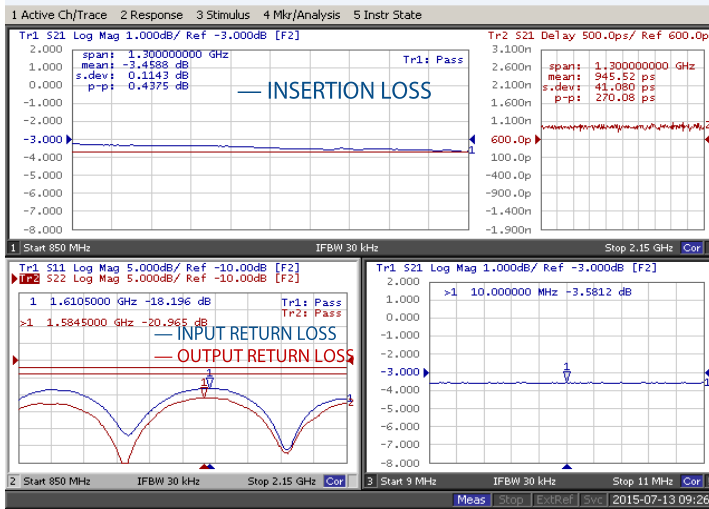
SNG & VSAT



Satellite Teleport



Technical specifications and operating parameters

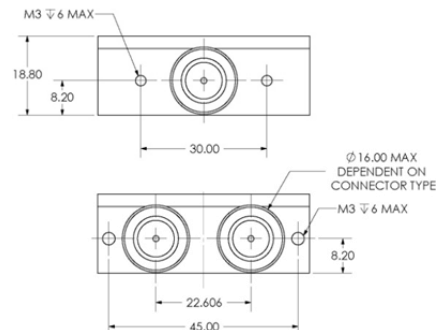
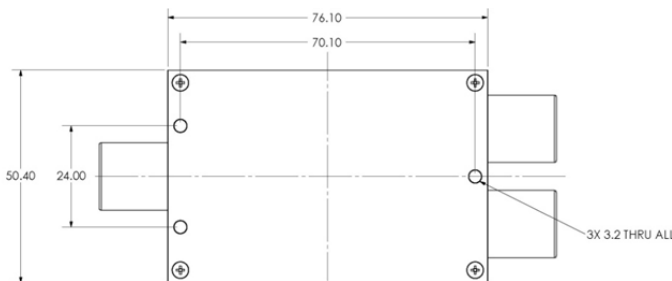


Environmental		
Operating Temperature		0°C to +45°C
Storage Temperature		-20°C to +75°C
Location		Indoor use Only
Humidity	Max.	85% non-condensing
Altitude	Max.	10,000 feet

Max Operating Parameters	
Input RF Power into matched load with 20dB return loss	+37dBm (5W) as splitter +27dBm (500mW) as combiner
DC Voltage	35V on any RF port
DC Current	500mA
DC Consumption	N/A

! Operation beyond these limits may cause instantaneous and permanent damage.

Physical Dimensions (mm)



Note: The specification is subject to regular reviews and will be updated from time to time as part of our continuing product development and improved specification accuracy.