

PRODUCT SPECIFICATIONS



Ku-band Cross-Polarized RxTx Feed Assembly

The Andrew Corporation Ku-Band cross-polarized feed has been specifically designed for our line of offset reflectors. Electrically tested and matched, this die-cast feed assembly provides maximum performance for demanding commercial applications. This feed is compatible with SFL

Class I antennas

- Broadband performance
- Includes mounting clamp and hardware
- Polarization scale built-in for feed horn.
- All materials comply with EU directive No. 2002/95/EC (RoHS).

SPECIFICATIONS

Model 6116784-02

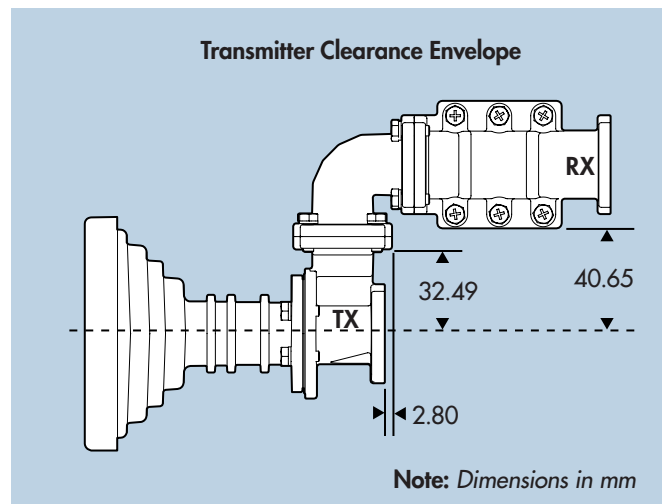
Rx

Operating Frequency	10.70 - 12.75 GHz
VSWR	1.4:1
Isolation	40 dB
Insertion Loss	0.4 dB
Interface	WR75

Tx

Operating Frequency	13.75 - 14.50 GHz
VSWR	1.2:1
Isolation	>90 dB
Insertion Loss	0.1 dB
Interface	WR75

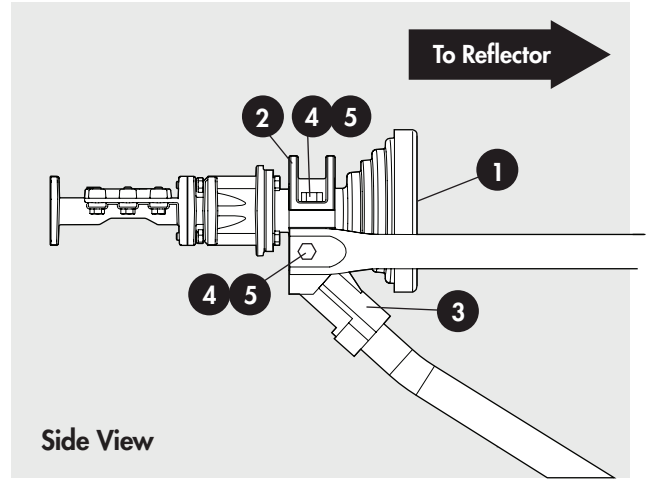
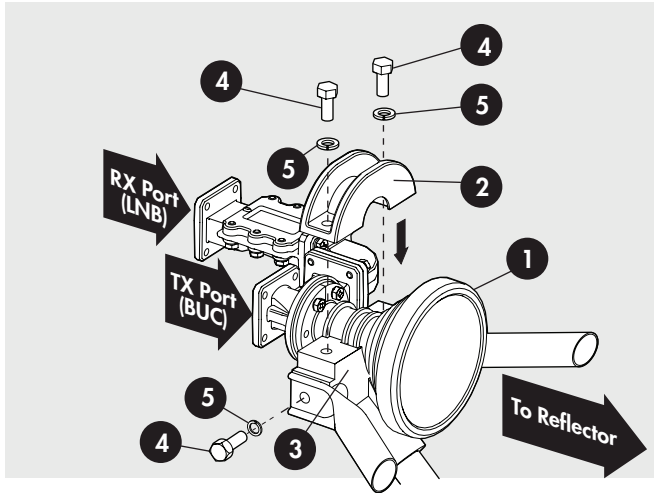
(All specifications typical)



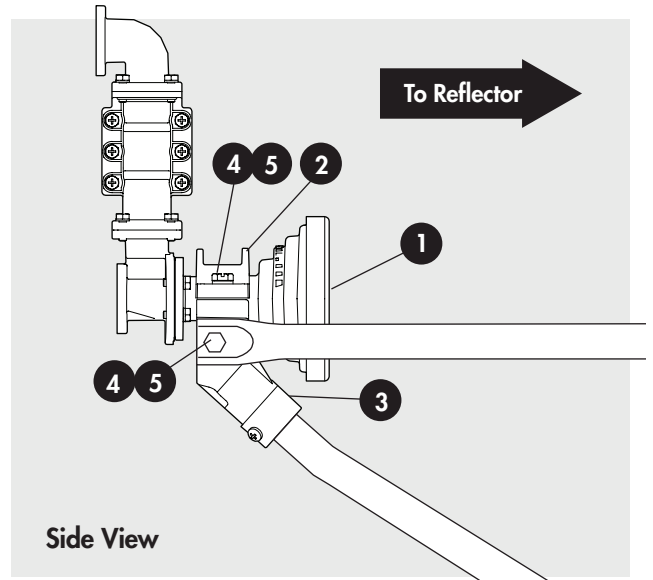
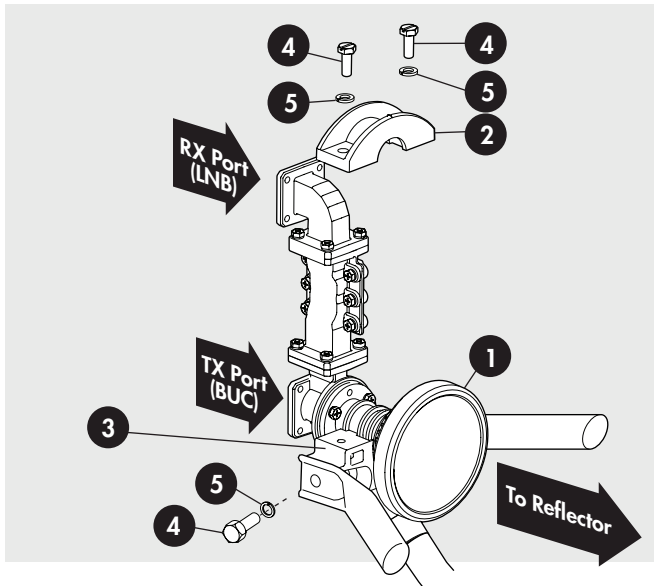
Model 6116784-02 and 6116784-02U

Ku-band Cross-Pol Feed Assembly for SFL Class I Antennas

Model 6116784-02 (Low Profile)



Model 6116784-02U (High Profile)



NOTES:

1. Assemble junction block to feed support leg and side struts as per instruction sheet 8000804-01 supplied.
2. Assemble BUC and LNB to feed assembly with hardware and O-rings provided with BUC and LNB.
3. Remove clamp and insert feed assembly. Assemble all parts leaving clamp hardware loose.
4. Rotate horn as required for polarization.
5. Tighten clamp hardware to 5 N-m (48 in-lb).

No	Description	Quantity
1	Feed Assembly	1
2	Clamp	1
3	Junction Block	1
4	M6 x 16 mm Hex Bolt	4
5	M6 Lock Washer	4



One Company. A World of Solutions.